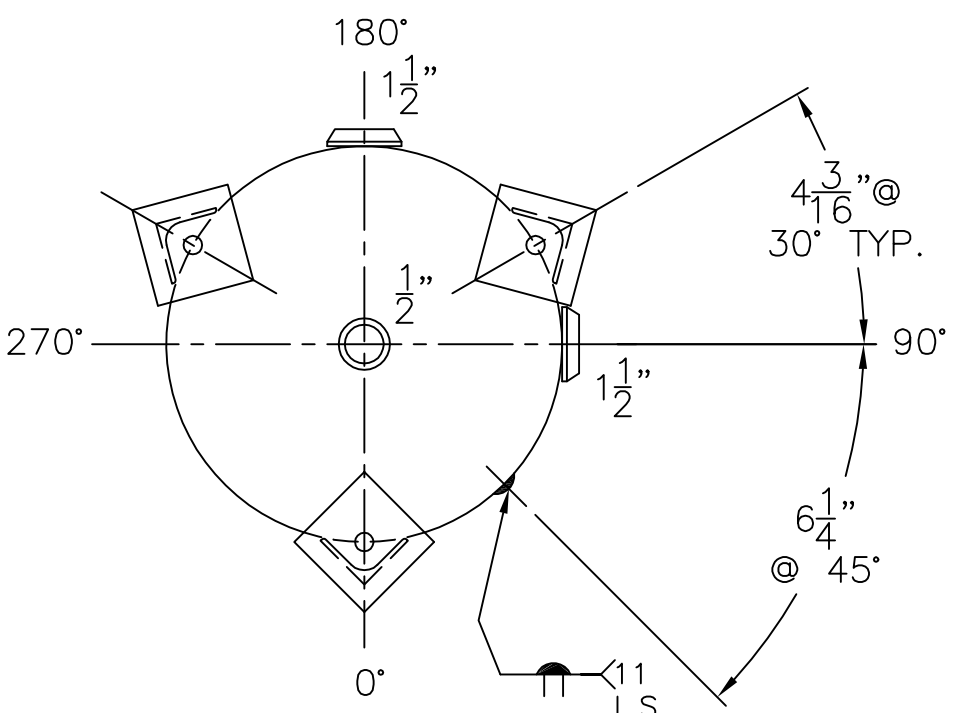


(3) 2 1/2"x 2 1/2"x 3/16"THK.  
13 3/16"LG. ANGLE LEGS

(3) 4"x 4"x 1/4"THK.  
PAD W/ 3/4"Ø HOLE



NOTE: 1) HYDRO @ 390 PSIG. MIN.

SHELL / HEADS		.149" SA-414-G 2:1 S.E.	
JOGGLE			
M.A.W.P. 300 PSIG. @ 400 °F		M.D.M.T. -20 °F @ 300 PSIG.	
ASME SECTION VIII DIV. 1, 2013		X-RAY: RT-NO	
GALLONS: 30		WT. 115 LBS.	
SERIAL NO.		N.B.	
16-VD-30-L		REV. 9-4-15	
FOR: HANSON STANDARD		DATE: 6-21-99	
VERT. AIR TANK		SURFACE AREA = 14.7 SQ. FT.	
INSIDE: UNPAINTED			
OUTSIDE: PRIME			
CAD-"B" SIZE UNDER "STD. SERIES		BY: E.S.	
SCALE: 1/8"=1"		ROY E. HANSON JR. MFG.	
		1600 E. WASHINGTON BLVD.	
		LOS ANGELES, CA 90021	