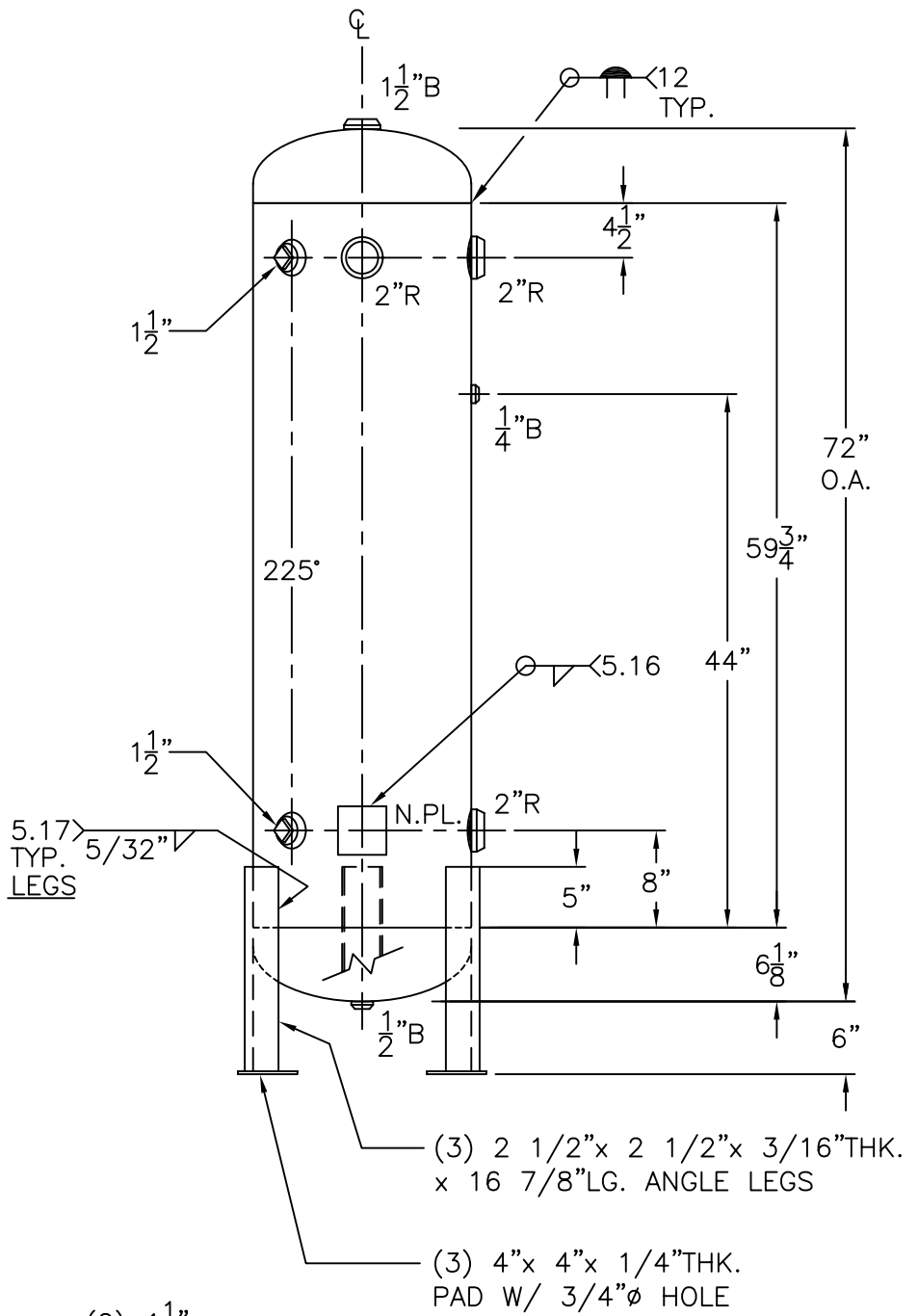


1 1/2" R W/ C.I. PLUG  
INSP. OPENING  
(2) PLC'S.



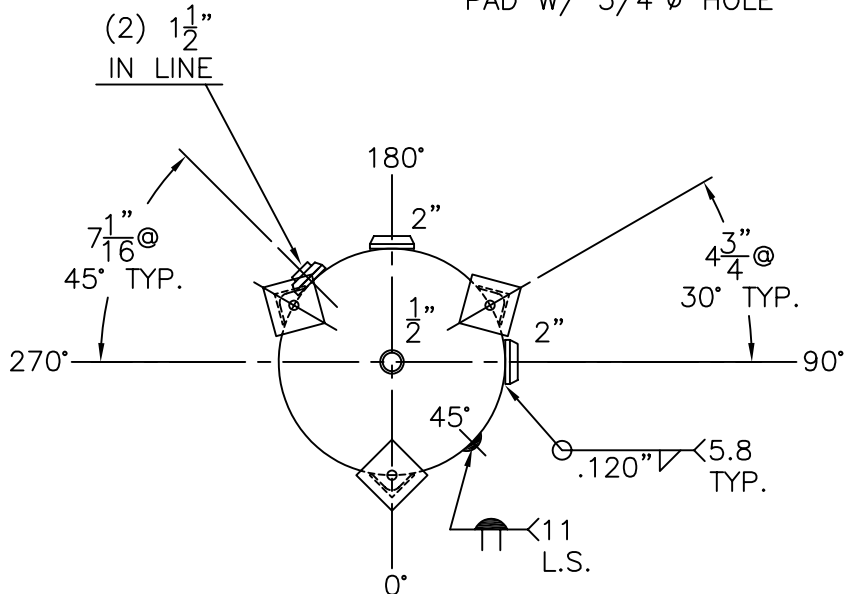
NOTE: 1) HYDRO @ 260 PSIG. MIN.

5.17  
TYP.  
LEGS

(3) 2 1/2" x 2 1/2" x 3/16" THK.  
x 16 7/8" LG. ANGLE LEGS

(3) 4" x 4" x 1/4" THK.  
PAD W/ 3/4" Ø HOLE

(2) 1 1/2"  
IN LINE



SHELL / HEADS	
JOGGLE	.135" SA-414-G 2:1 S.E.
	.149" SA-414-G
M.A.W.P.	200 PSIG. @ 400 °F
M.D.M.T.	-20 °F @ 200 PSIG.
ASME SECTION VIII	DIV. 1, 2010 ADD 2010
X-RAY:	RT-NO
GALLONS:	73
SERIAL NO.	WT. 220 LBS.
N.B.	

18-VA-73-L	REV. 10-5-11
FOR: HANSON STANDARD	DATE: 12-28-84
VERT. AIR TANK	
SURFACE AREA = 29.6 SQ. FT.	
INSIDE: UNPAINTED	
OUTSIDE: PRIME	
LEG-ZONE 4-15 KM.	
BY: J.G.	SCALE: 3/4" = 12"
<b>ROY F. HANSON JR. MFG.</b>	
1600 E. WASHINGTON BLVD.	
LOS ANGELES, CA 90021	