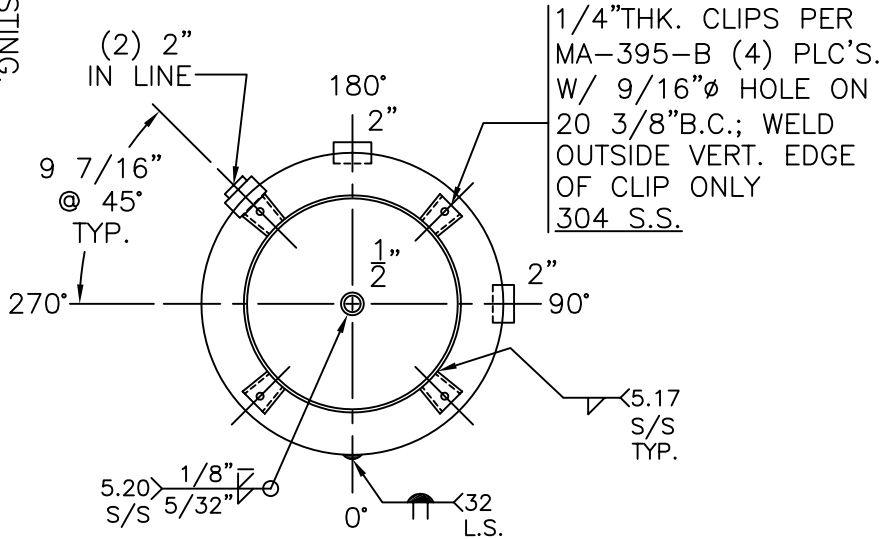


NOTE: 1) HYDRO @ 520 PSIG. MIN.
 2) ALL FNPT'S SA-182-304 S.S.
 3) UHA-51 (e)(2) NO IMPACT TESTING.

SHELL / HEADS	
.250" SA-240-304	2:1 S.E.
(.259" OFFSET)	
JOGGLE	
.250" SA-240-304	
M.A.W.P.	400 PSIG. @ 200 °F
M.D.M.T.	-155 °F @ 400 PSIG.
ASME SECTION VIII	DIV. 1, 2010 ADD 2010
X-RAY:	RT-4 100% L.S. SPOT HEADS G.S.
GALLONS:	120 WT. 440 LBS.
SERIAL NO.	
N.B.	



24-VJ-120-R	REV.
304 S.S.	DATE: 1-21-11
FOR: HANSON STANDARD	
VERT. AIR TANK	
SURFACE AREA = 38.0 SQ. FT.	
INSIDE: UNPAINTED & PASSIVATE	
OUTSIDE: BEAD BLAST & PASSIVATE	
BY: E.S.	SCALE: 3/4"=12"
ROY F. HANSON JR. MFG.	
1600 E. WASHINGTON BLVD.	
LOS ANGELES, CA 90021	