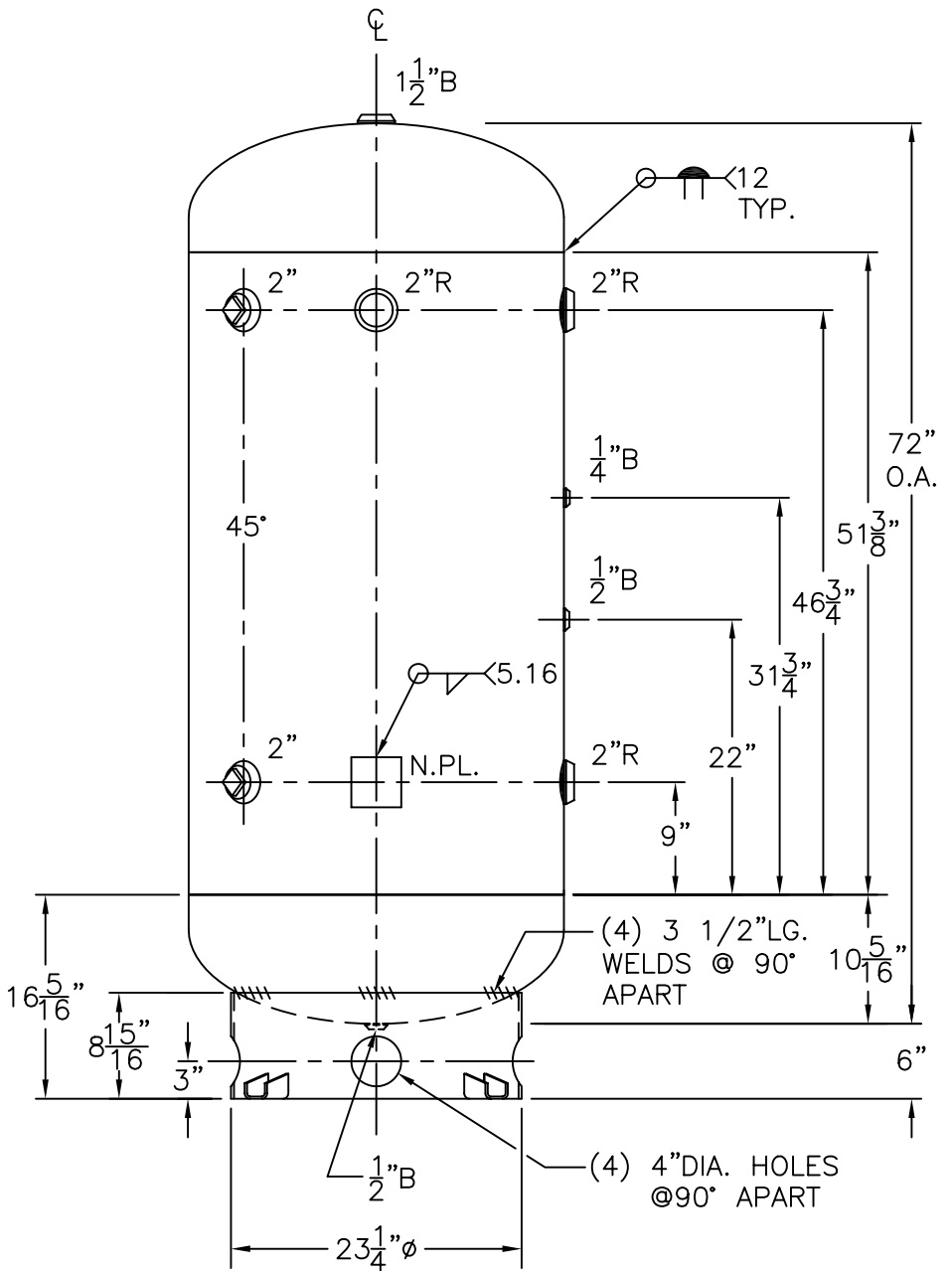
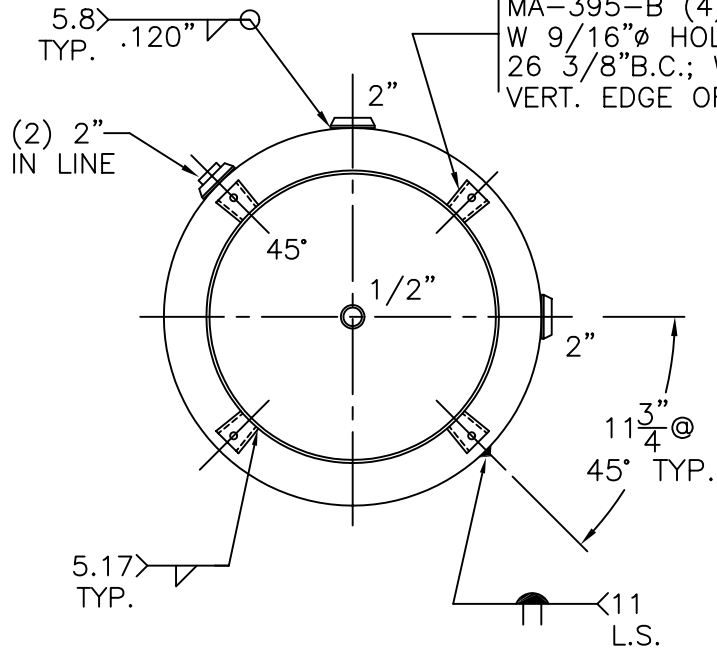


2"R W/ C.I. PLUG
INSP. OPENING
(2) PLC'S.



3/16" THK. CLIPS PER
MA-395-B (4) PLC'S
W 9/16" ø HOLE ON
26 3/8" B.C.; WELD OUTSIDE
VERT. EDGE OF CLIP ONLY



NOTE: 1) HYDRO @ 327 PSIG. MIN.

SHELL / HEADS	
.179" SA-414-G	2:1 S.E.
JOGGLE	
.207" SA-455	(.205" MIN.)
M.A.W.P.	250 PSIG. @ 400 °F
M.D.M.T.	-20 °F @ 250 PSIG.
ASME SECTION VIII	DIV. 1, 2004 ADD 2005
X-RAY: RT-4 SPOT L.S. & HDS. G.S.	
GALLONS: 200	WT. 460 LBS.
SERIAL NO.	
N.B.	

30-VC-200-R	REV. 9-6-06
FOR: HANSON STANDARD	DATE: 11-24-86
VERT. AIR TANK	
INSIDE: UNPAINTED	
OUTSIDE: PRIME	
BY: J.G.	SCALE: 3/4" = 12"
ROY F. HANSON JR. MFG.	
1600 E. WASHINGTON BLVD.	
LOS ANGELES, CA 90021	