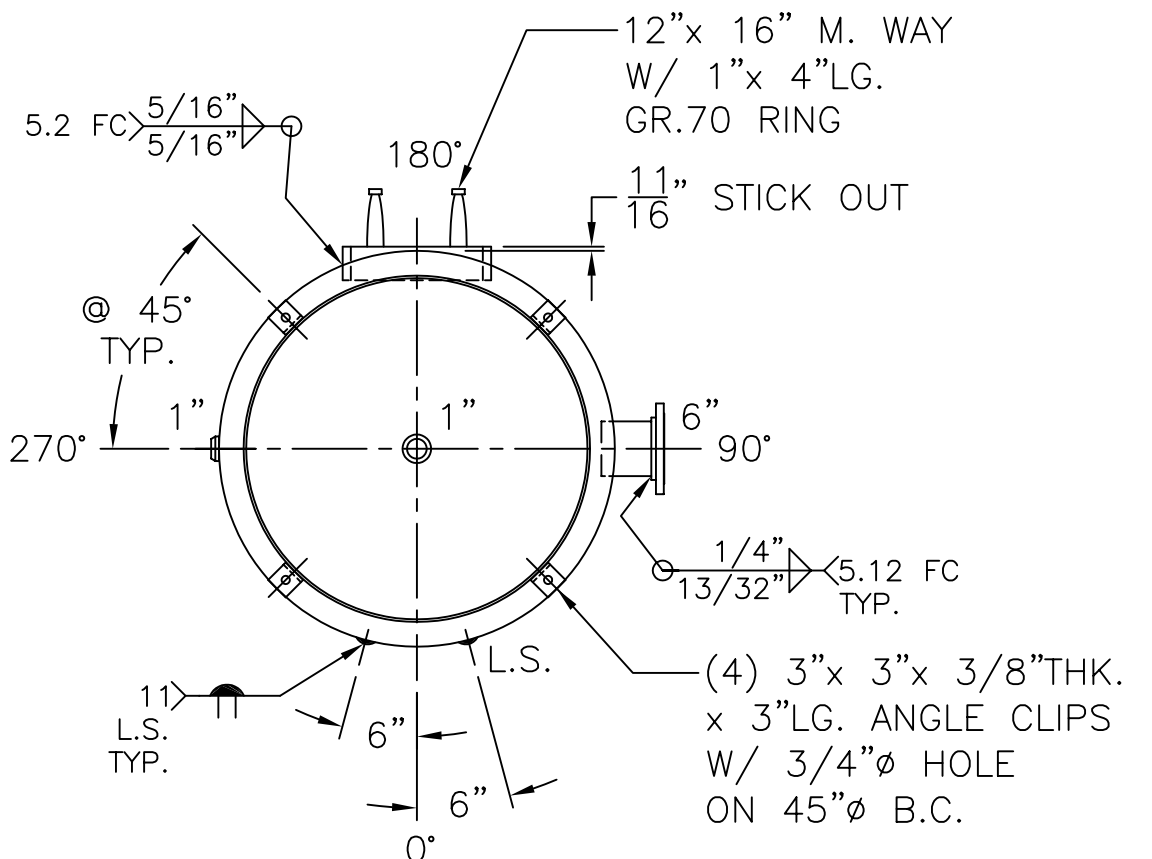
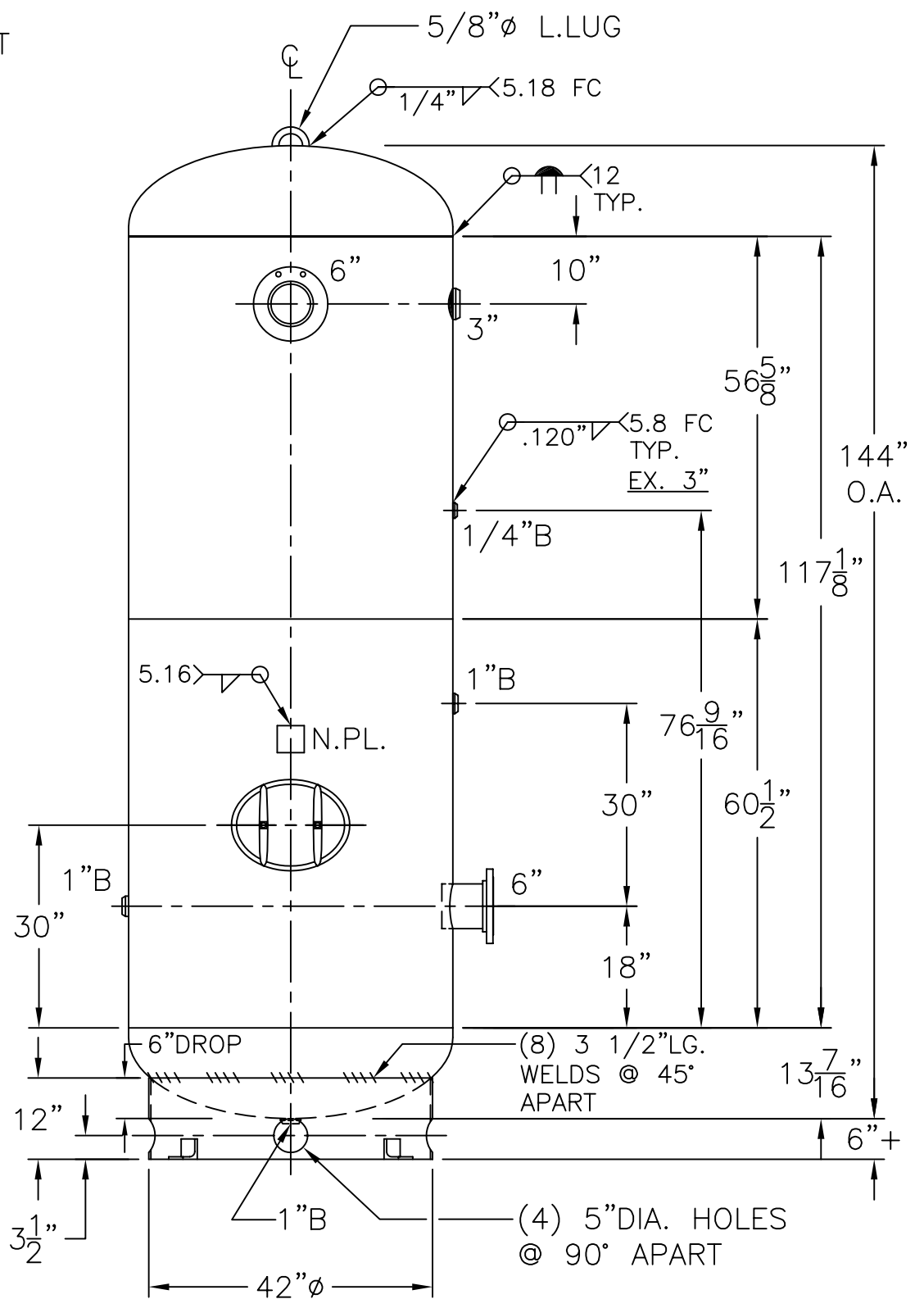


6"-150# R.F.S.O. FLG.
W/ SCH. 40 SA-106-B
PIPE x 7 5/8"LG.
(2) PLC'S.



NOTE: 1) CRN #U5219.2
2) DRAIN FOR HORIZONTAL MOUNT ADDED AFTER SERIAL #423,136
3) HYDRO @ 260 PSIG. MIN.

SHELL / HEADS		.250" SA-414-G 2:1 S.E.	
JOGGLE - .278" OFFSET			
.289" SA-455			
M.A.W.P.	200 PSIG. @ 400 °F		
M.D.M.T.	-20 °F @ 200 PSIG.		
ASME SECTION VIII DIV. 1, 2010 ADD 2010			
X-RAY: RT-4 SPOT L.S. & HDS. G.S.			
GALLONS:	1060	WT.	2128 LBS.
SERIAL NO.			
N.B.			
48-VA-1060-R		REV.	8-8-11
FOR: HANSON STANDARD		DATE:	10-27-98
VERT. AIR TANK			
INSIDE: UNPAINTED			
OUTSIDE: PRIME			
CAD "B" SIZE UNDER "STD"-SERIES			
BY: E.S.			
SCALE: 1/2"=12"			
ROY E. HANSON JR. MFG.			
1600 E. WASHINGTON BLVD.			
LOS ANGELES, CA 90021			