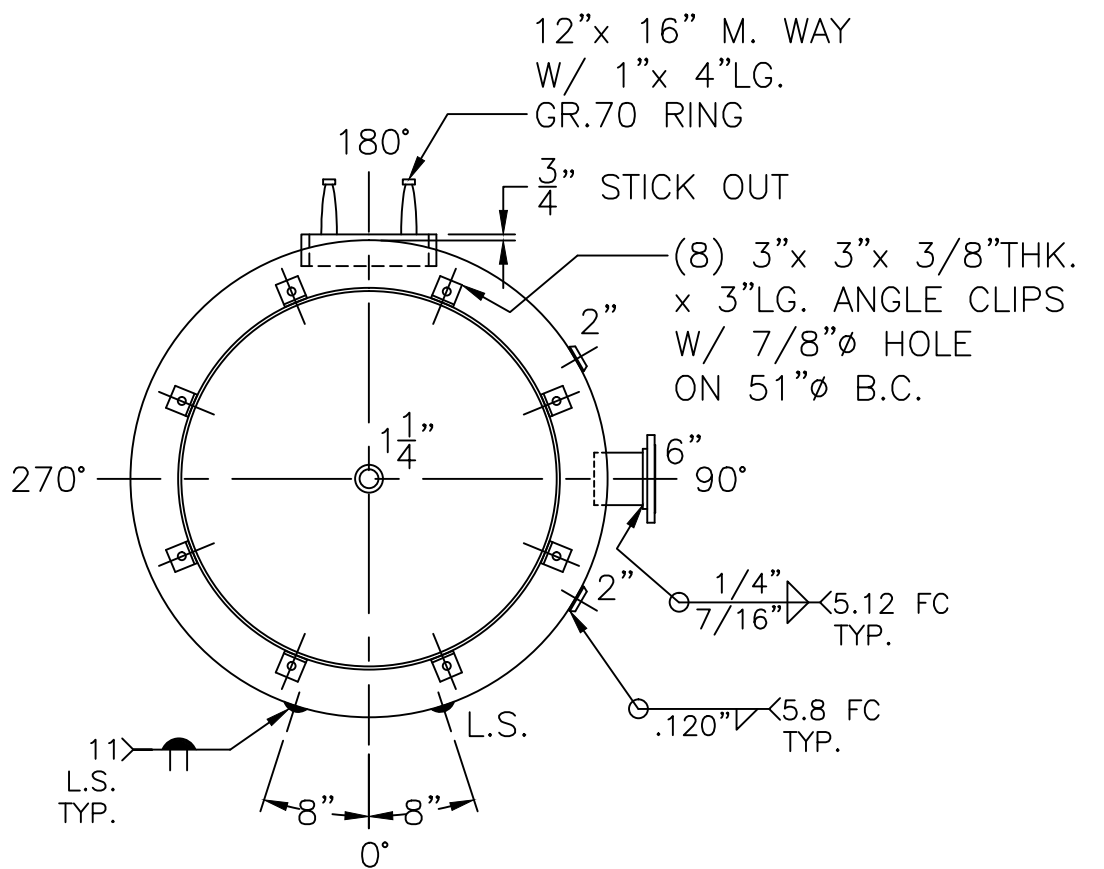
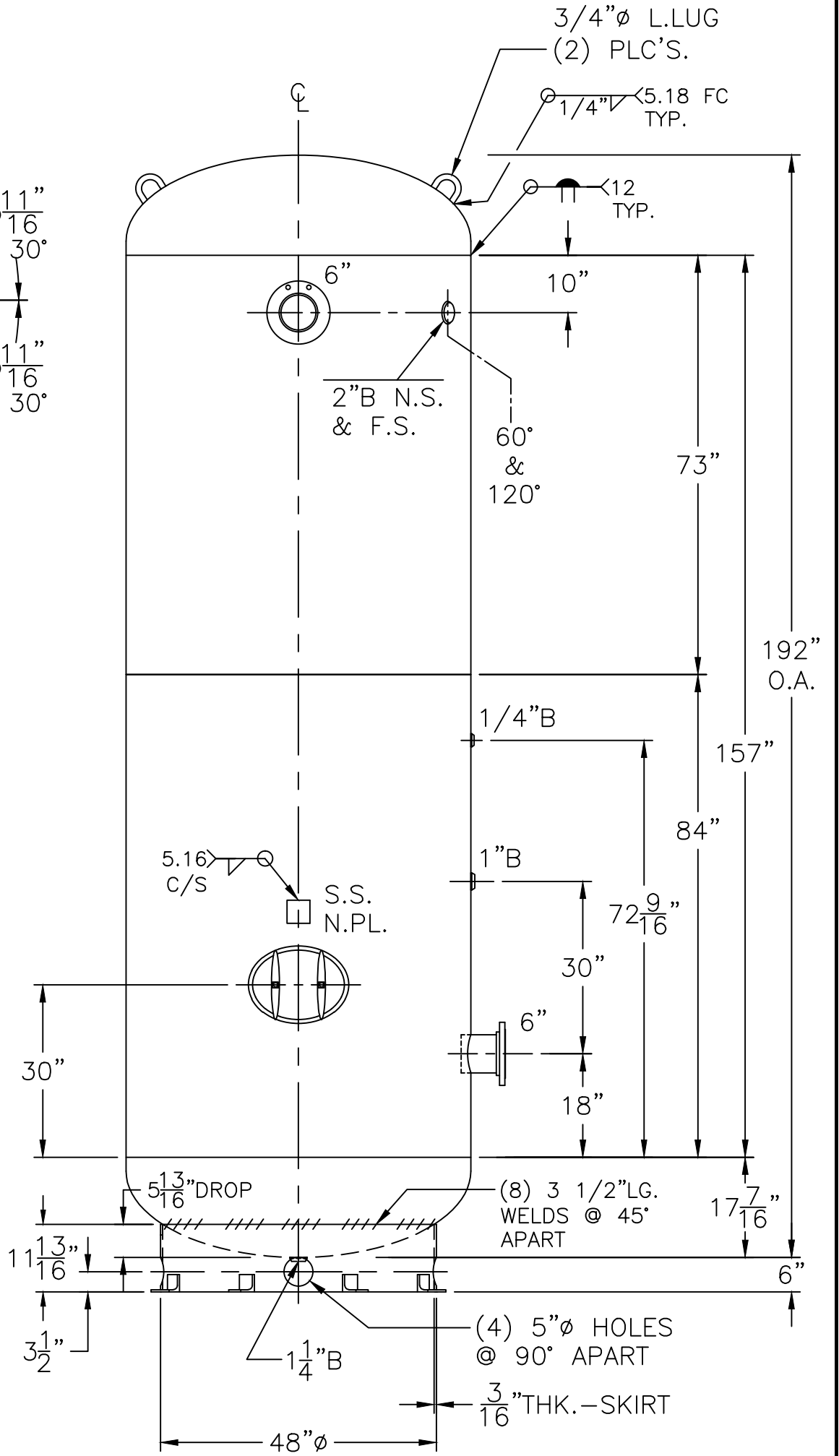


6"-150# R.F.S.O.
 FLG. W/ SCH. 80
 SA-106 B
 PIPE x 7 5/8" LG.
 (2) PLC'S.



NOTE: 1) HYDRO @ 215 PSIG. MIN.

SHELL / HEADS	
.250" SA-455	2:1 S.E.
(.241" MIN.)	
.289" SA-455	
M.A.W.P.	165 PSIG. @ 400 °F
M.D.M.T.	-20 °F @ 165 PSIG.
ASME SECTION VIII	DIV. 1, 2013
X-RAY: RT-4 SPOT L.S. & HDS. G.S.	
GALLONS: 2180	WT. 3597 LBS.
SERIAL NO.	
N.B.	
60-VM-2180-R	
REV.	9-2-14
DATE:	6-16-99
FOR: HANSON STANDARD	
VERT. AIR TANK	
SURFACE AREA = 266.3 SQ. FT.	
UW-21(b)	
INSIDE: UNPAINTED	
OUTSIDE: PRIME	
CAD "B" SIZE UNDER "STD"-SERIES	
BY: E.S.	SCALE: 1/2" = 12"
ROY E. HANSON JR. MFG.	
1600 E. WASHINGTON BLVD.	
LOS ANGELES, CA 90021	