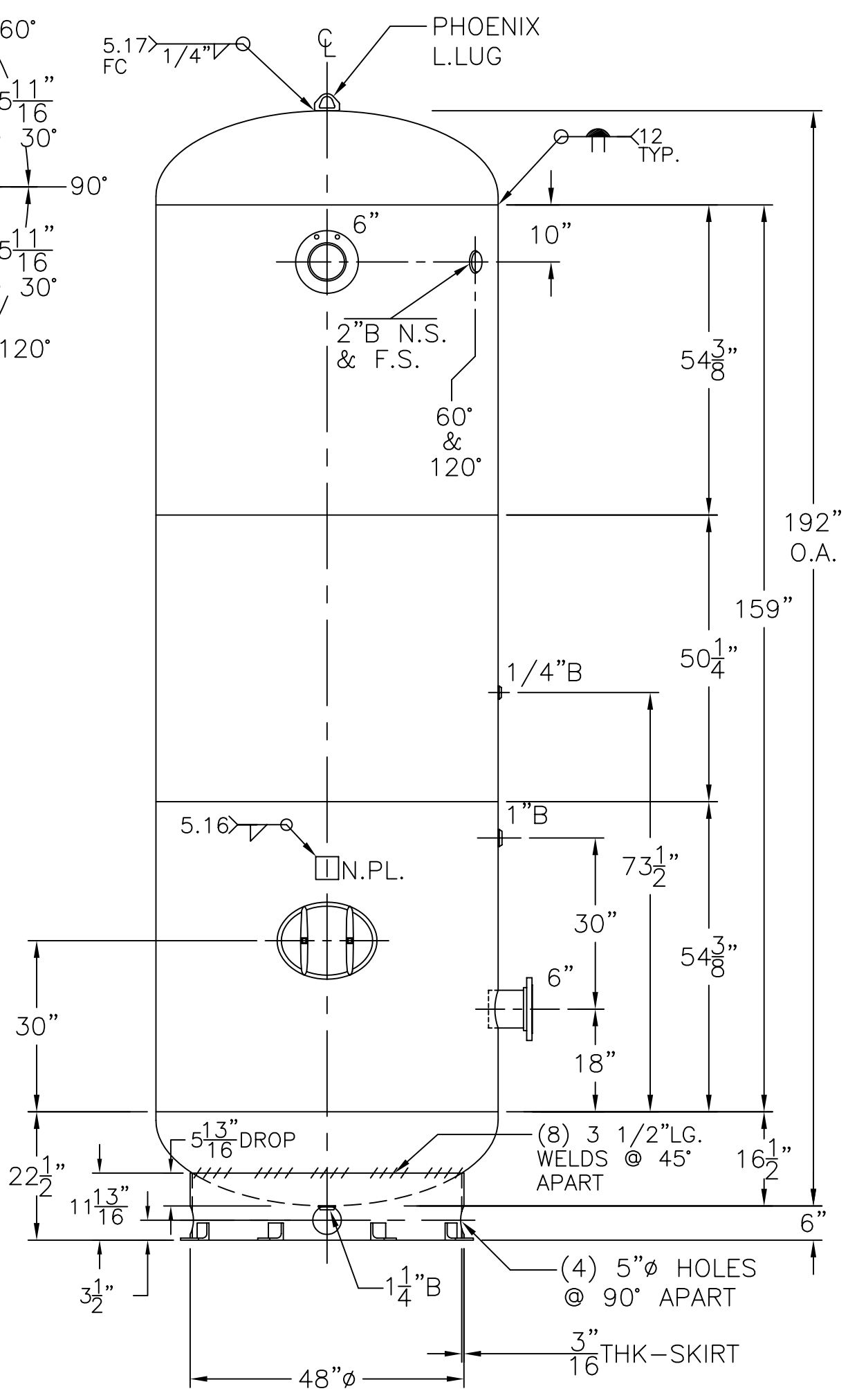
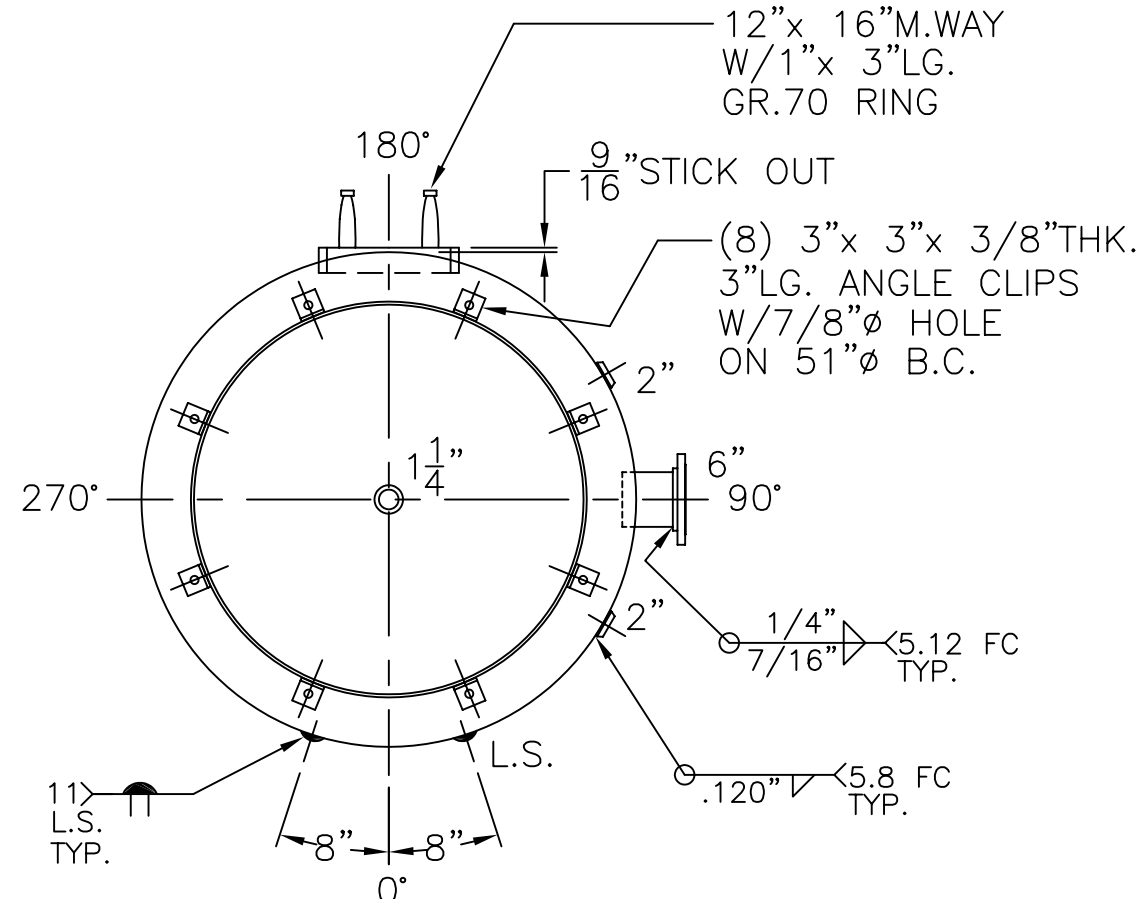


6"-150# R.F.S.O.
 FLG. W/SCH 80
 SA-106-B
 PIPE x 7 5/8"LG.
 (2) PLC'S



NOTE: 1) HYDRO @ 179 PSIG. MIN.



SHELL / HEADS	
.248" SA-455	2:1 S.E.
(.228" MIN.)	
.248" SA-455	
M.A.W.P.	137 PSIG. @ 400 °F
M.D.M.T.	-20 °F @ 137 PSIG.
ASME SECTION VIII	DIV. 1, 2010 ADD 2010
X-RAY: RT-4 SPOT L.S. ONLY	
GALLONS: 2180	WT. 3089 LBS.
SERIAL NO.	
N.B.	

60-VQ-2180-R	REV. 8-10-11
FOR: HANSON STANDARD	DATE: 1-14-99
VERT. AIR TANK	
SURFACE AREA = 266.3 SQ. FT.	
UW-21(b)	
INSIDE: UNPAINTED	
OUTSIDE: PRIME	
CAD "B" SIZE UNDER "STD"-SERIES	
BY: J.G.	SCALE: 1/2" = 12"
ROY E. HANSON JR. MFG.	
1600 E. WASHINGTON BLVD.	
LOS ANGELES, CA 90021	