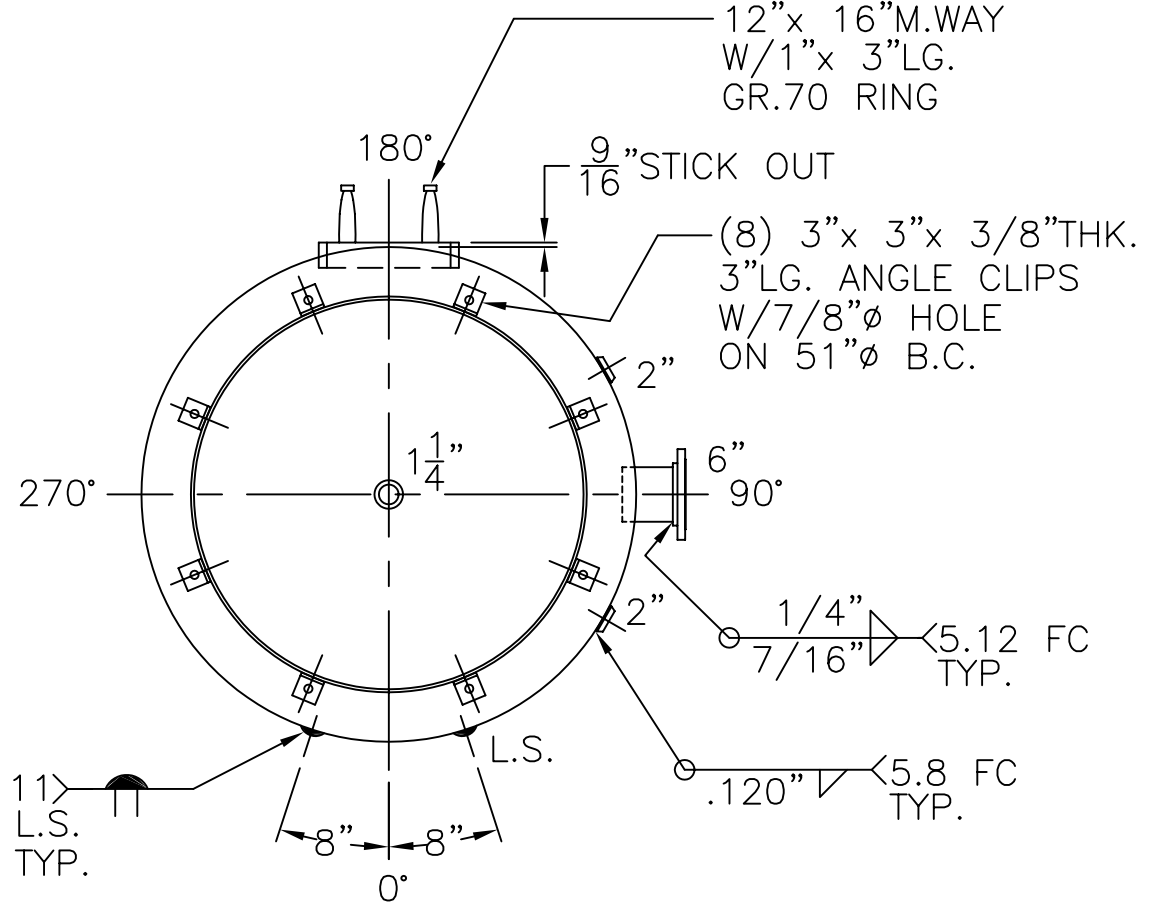


6"-150# R.F.S.O.  
 FLG. W/SCH 80  
 SA-106-B  
 PIPE x 7 5/8"LG.  
 (2) PLC'S

NOTE: 1) HYDRO @ 179 PSIG. MIN.

SHELL / HEADS		.248" SA-455 2:1 S.E. (.225"MIN.)	
M.A.W.P.	137 PSIG. @ 400 °F		
M.D.M.T.	-20 °F @ 137 PSIG.		
ASME SECTION VIII	DIV. 1, 2010 ADD 2010		
X-RAY: RT-4 SPOT L.S.			
GALLONS: 2520	WT. 3506 LBS.		
SERIAL NO.			
N.B.			
INSIDE: UNPAINTED		60-VQ-2520-R	
OUTSIDE: PRIME		REV. 8-10-11	
CAD "B" SIZE UNDER "STD"-SERIES		DATE: 2-2-99	
BY: J.G.		SCALE: 1/2"=12"	
FOR: HANSON STANDARD		ROY E. HANSON JR. MFG.	
VERT. AIR TANK		1600 E. WASHINGTON BLVD.	
UW-21(b)		LOS ANGELES, CA 90021	



ROY E. HANSON JR. MFG.  
 1600 E. WASHINGTON BLVD.  
 LOS ANGELES, CA 90021