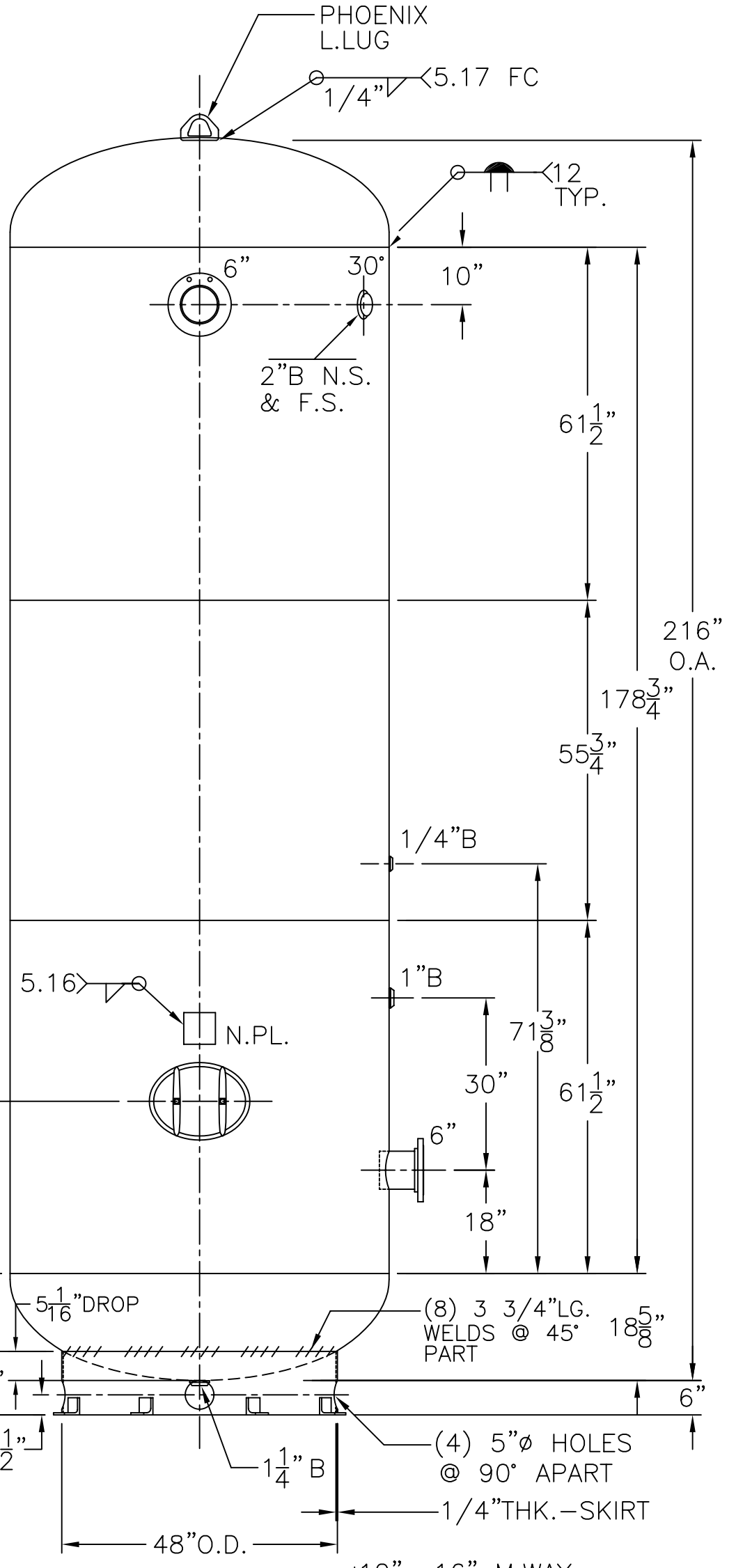
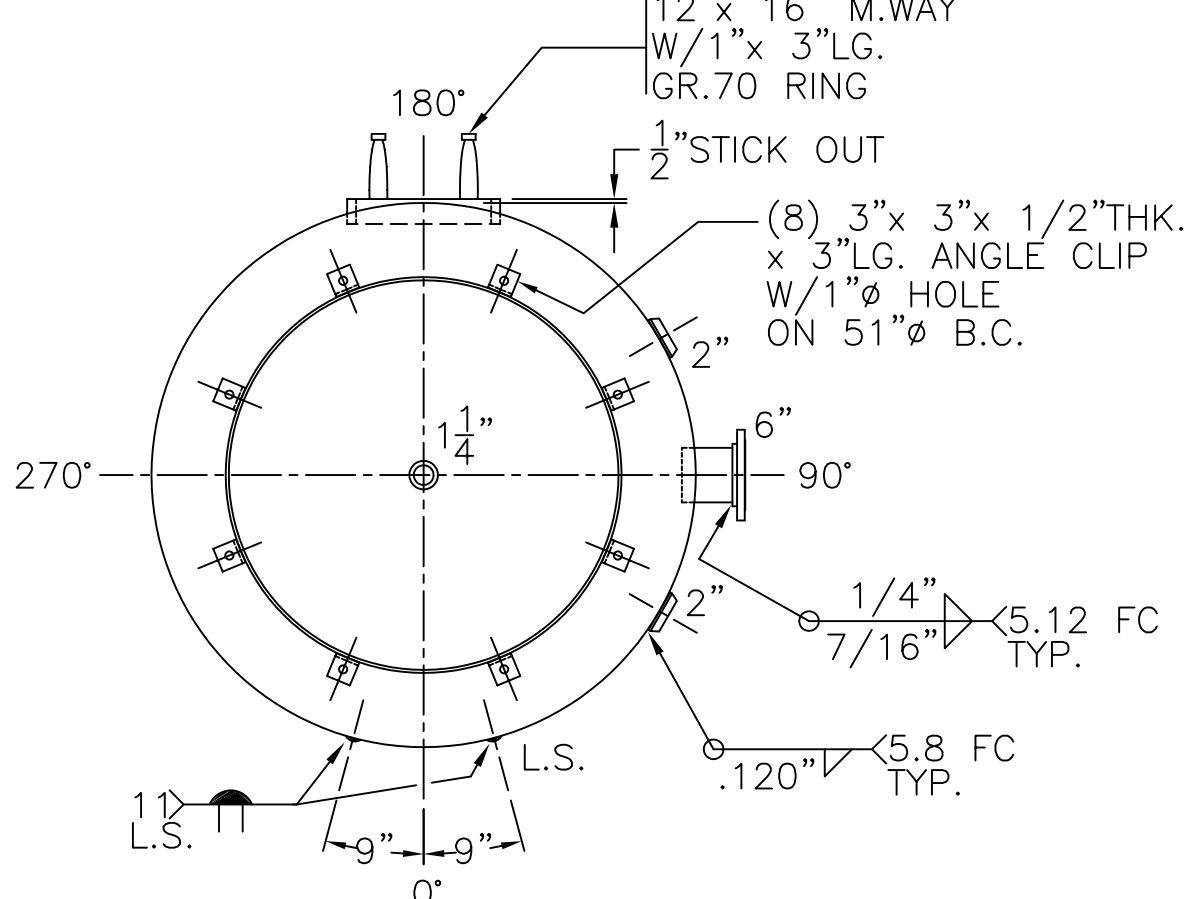


6"-150# R.F.S.O.  
 FLG. W/SCH 80  
 SA-106-B  
 PIPE x 7 5/8" LG.  
 (2) PLC'S



NOTE. 1) HYDRO @ 179 PSIG. MIN.

SHELL / HEADS	
.250" SA-455 2:1 S.E. (.214" MIN.)	
M.A.W.P. 137 PSIG. @ 400 °F	
M.D.M.T. -20 °F 137 PSIG.	
ASME. SECTION VIII DIV. 1, 2010 ADD 2010	
X-RAY: RT-4 SPOT L.S. & HDS. G.S.	
GALLONS: 3000	WT. 3791 LBS.
SERIAL NO.	
N.B.	



66-VQ-3000-R	REV: 8-15-11
FOR: HANSON STANDARD	DATE: 2-18-99
VERT. AIR TANK	
UW-21(b)	
INSIDE: UNPAINTED	
OUTSIDE: PRIME	
CAD "B" SIZE UNDER "STD"-SERIES	
BY: J.G.	SCALE: 1/2"=12"
<b>ROY E. HANSON JR. MFG.</b>	
1600 E. WASHINGTON BLVD.	
LOS ANGELES, CA 90021	