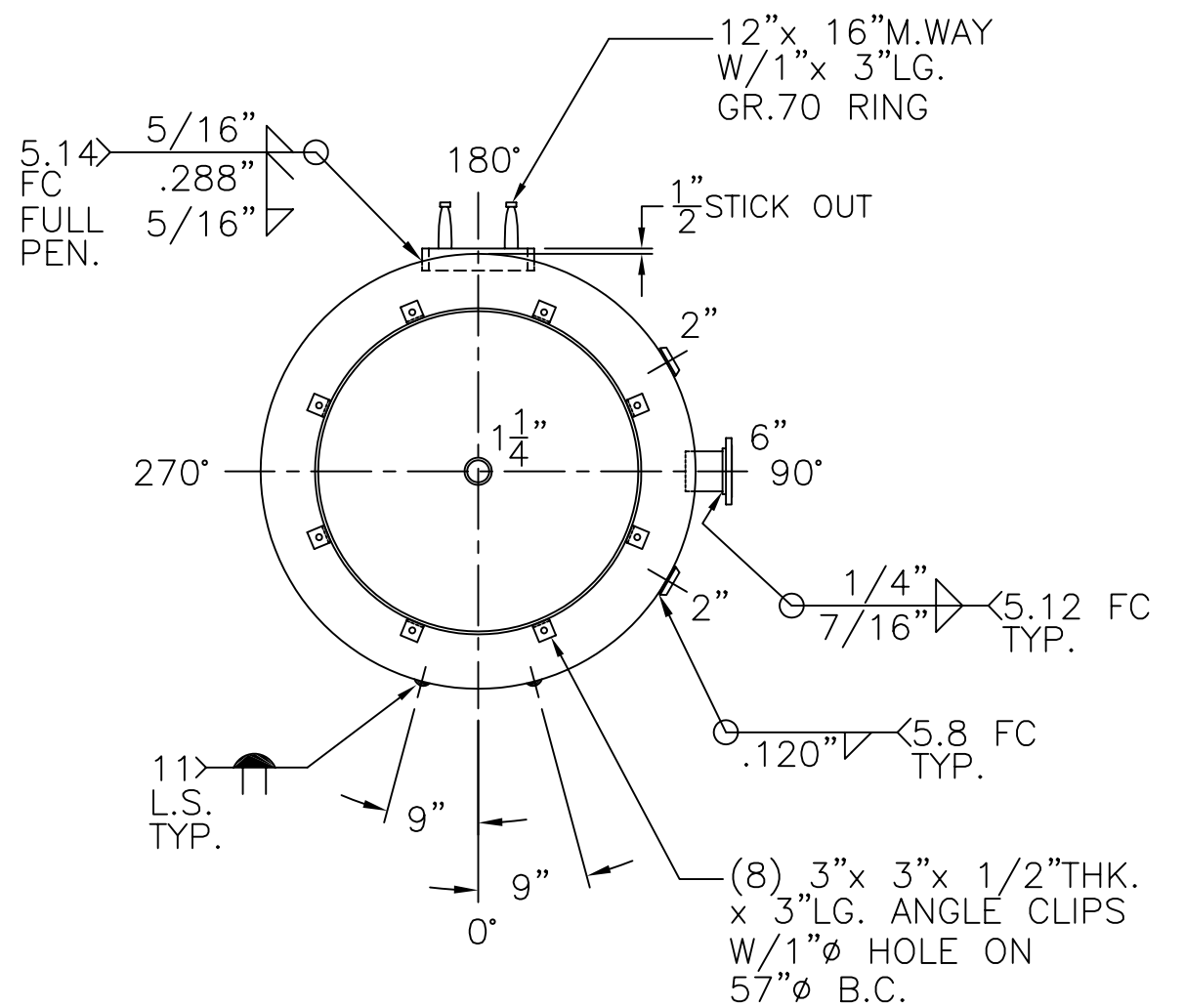
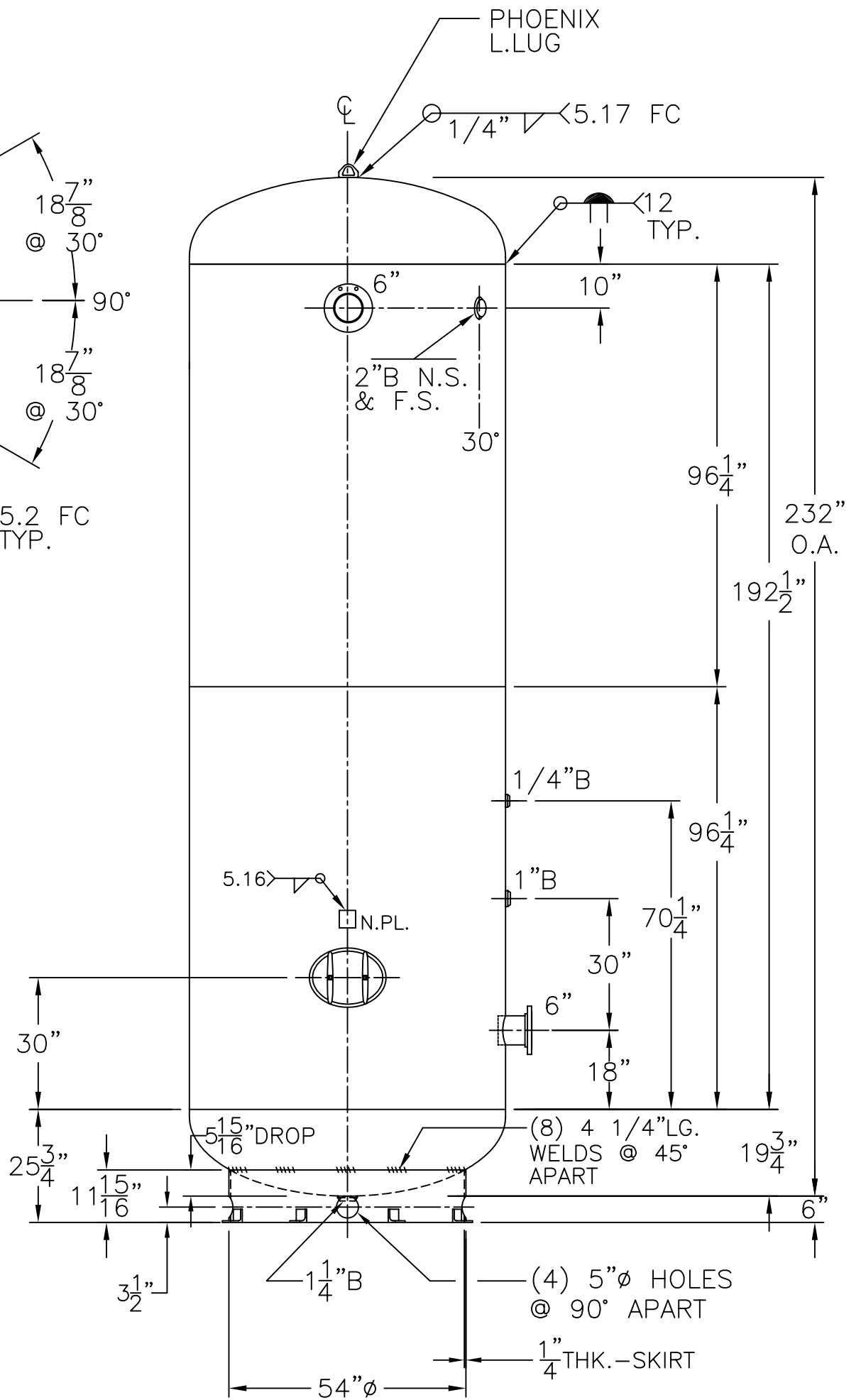


6"-150# R.F.S.O.  
 FLG. W/SCH 80  
 SA-106-B  
 PIPE x 7 5/8"LG.  
 (2) PLC'S



NOTE: 1) HYDRO @ 179 PSIG. MIN.

SHELL / HEADS		.280" SA-455 2:1 S.E. (.234" MIN.)	
.288" SA-455			
M.A.W.P.	137 PSIG. @ 400 °F		
M.D.M.T.	-20 °F 137 PSIG		
ASME SECTION VIII DIV. 1, 2010 ADD 2010			
X-RAY:	RT-4 SPOT L.S. & HDS. G.S.		
GALLONS:	3800	WT. 5102	LBS.
SERIAL NO.			
N.B.			
INSIDE: UNPAINTED		72-VQ-3800-R	
OUTSIDE: PRIME		REV. 8-15-11	
CAD "B"-SIZE UNDER "STD"-SERIES		DATE: 8-12-99	
BY: J.G.		FOR: HANSON STANDARD	
SCALE: 3/8"=12"		VERT. AIR TANK	
ROY E. HANSON JR. MFG.		UW-21(b)	
1600 E. WASHINGTON BLVD.		INSIDE: UNPAINTED	
LOS ANGELES, CA 90021			