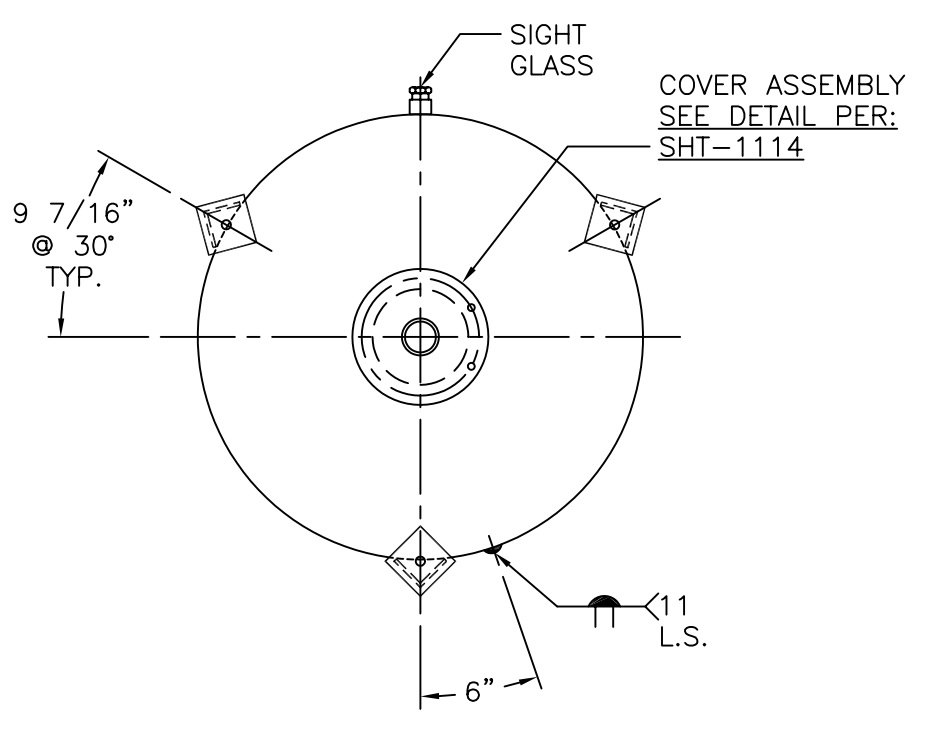
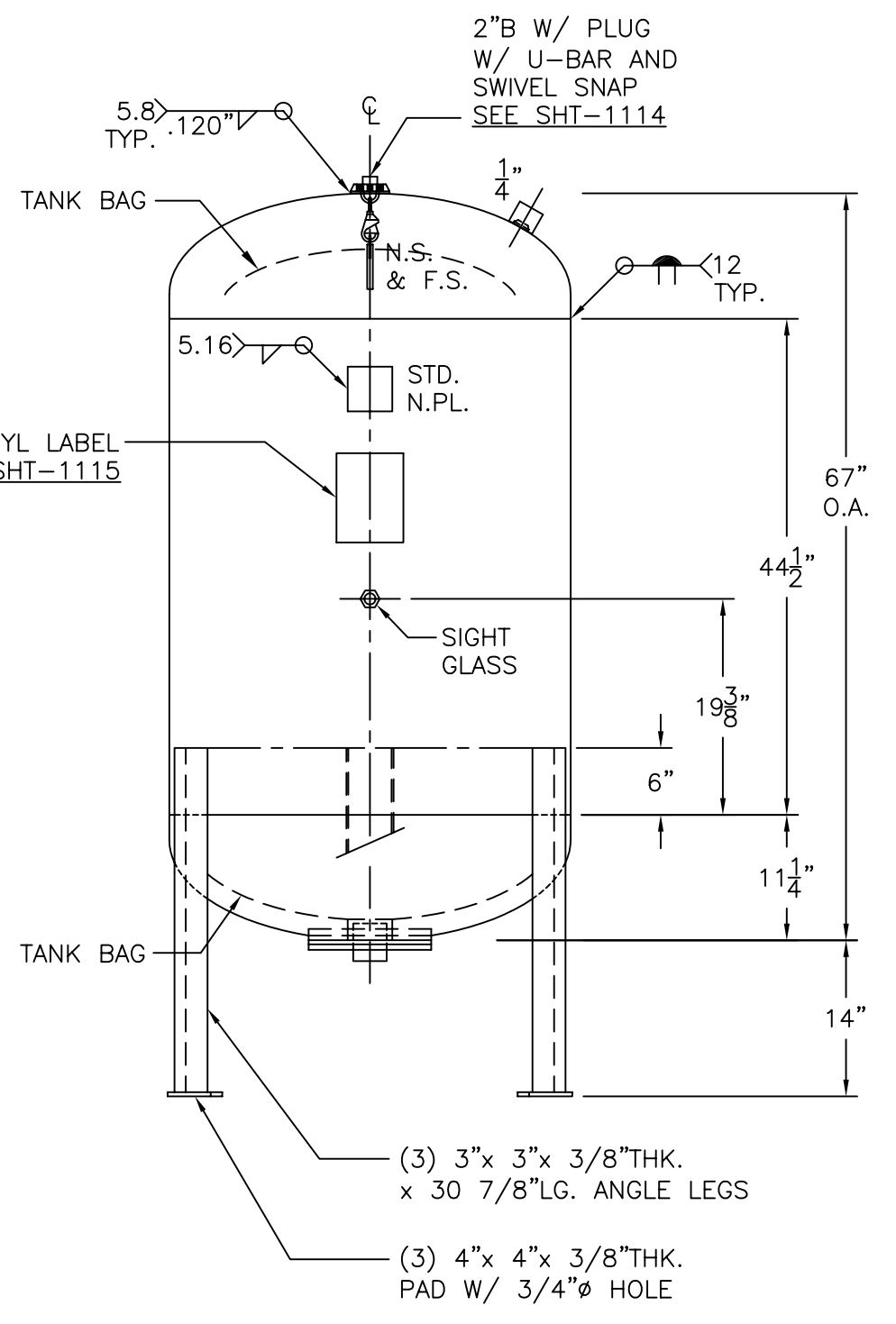


COVER ASSEMBLY DTL.



SHELL / HEADS		M.A.W.P. 125 PSIG. @ 240 °F		INSIDE: UNPAINTED	
.182" SA-455 2:1 S.E.		M.D.M.T. 32 °F @ 125 PSIG.		OUTSIDE: PRIMER	
JOGGLE - .149" OFFSET		ASME SECTION VIII DIV. 1, 2007 ADD. 2008		LEG-ZONE 4-15 KM.	
.164" SA-414-G		X-RAY: RT-NO		BY: E.S.	
		GALLONS: 264		SCALE: 3/4"=12"	
		SERIAL NO.		ROY E. HANSON JR. MFG.	
		N.B.		1600 E. WASHINGTON BLVD. LOS ANGELES, CA 90021	
		NOTE: 1) HYDRO @ 163 PSIG. MIN.		REV. 11-3-09	
		2) INSPECTION OPENING, UG 46(f)(6).		DATE: 4-1-05	
				BB-264-L	
				HANSON STANDARD	
				VERT. BLADDER TANK	