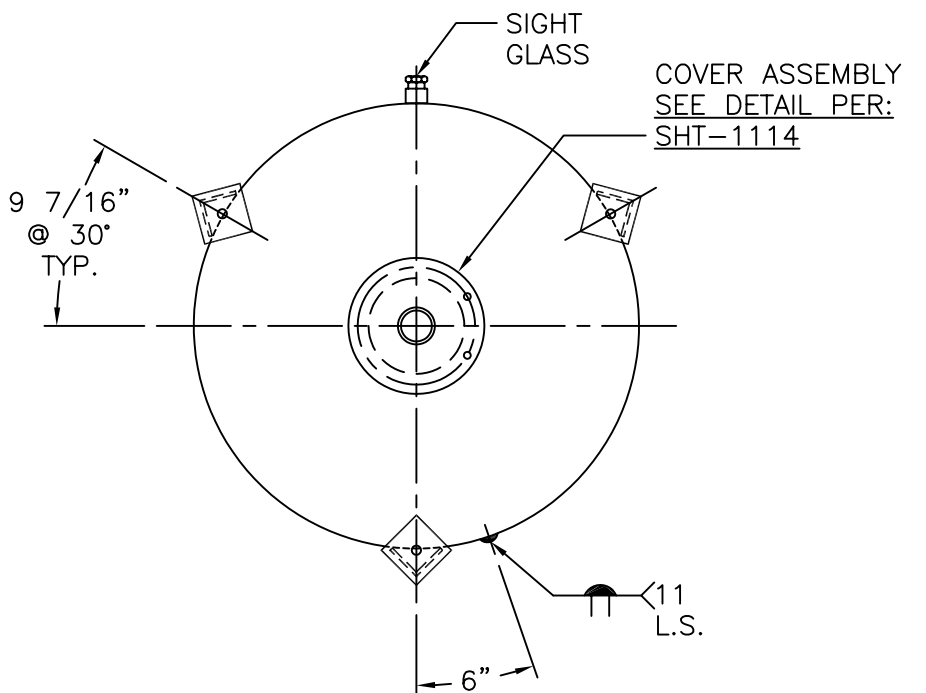
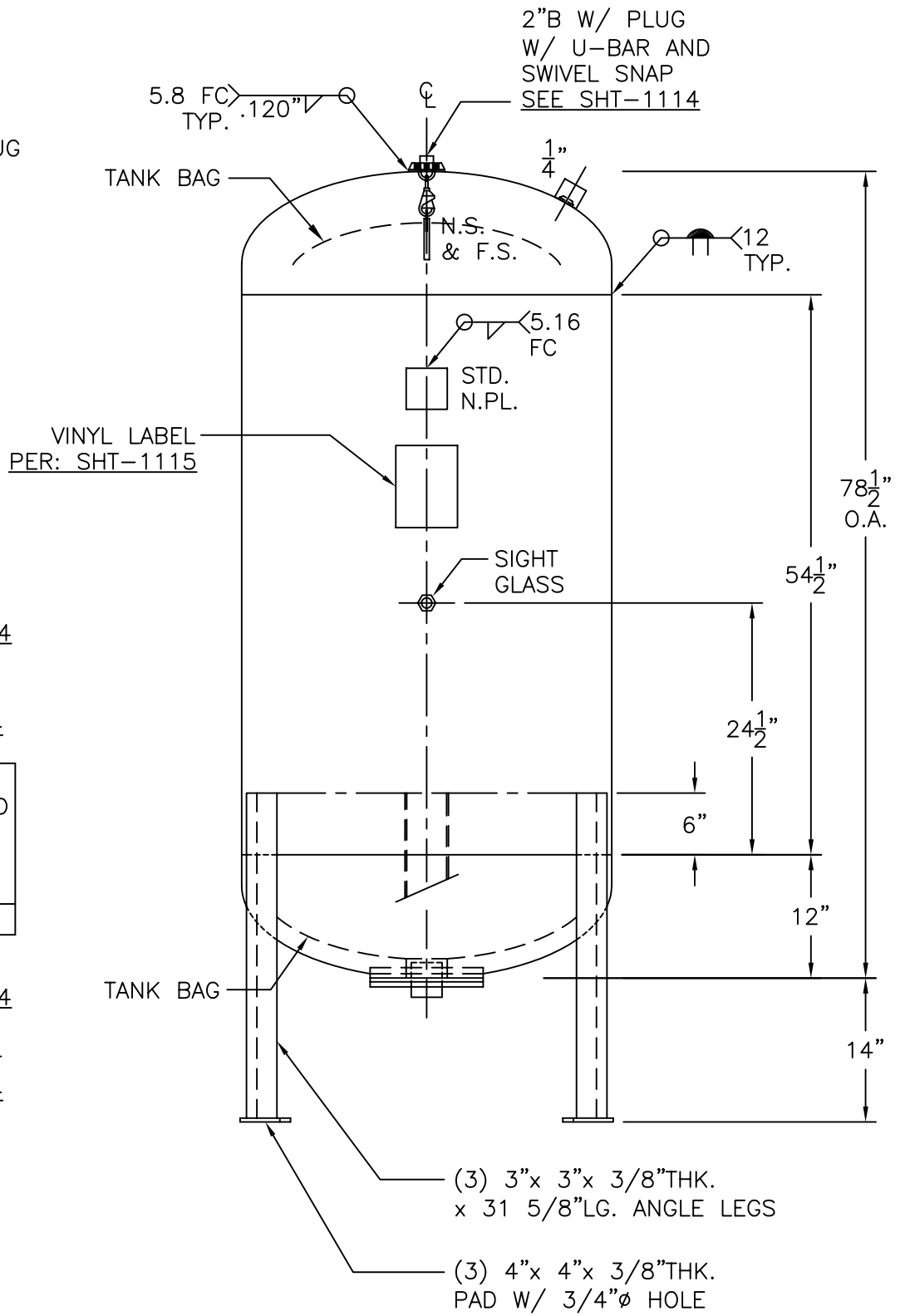


COVER ASSEMBLY DTL.



NOTE: 1) HYDRO @ 165 PSIG. MIN.
2) INSPECTION OPENING, UG 46(f)(6).

SHELL / HEADS	
.182" SA-455	2:1 S.E.
JOGGLE	
M.A.W.P. 125	PSIG. @ 240 °F
M.D.M.T. 32	°F @ 125 PSIG.
ASME. SECTION VIII DIV. 1, 2004 ADD. 2004	
X-RAY: RT-NO	
GALLONS: 317	WT. 636 LBS.
SERIAL NO.	
N.B.	
BB-317-L	REV. DATE: 4-1-05
HANSON STANDARD VERT. BLADDER TANK	
INSIDE: UNPAINTED	
OUTSIDE: PRIMER	
BY: E.S.	LEG-ZONE 4-15 KM.
ROY E. HANSON JR. MFG.	SCALE: 3/4" = 12"
1924 COMPTON AVE. LOS ANGELES, CA 90011	