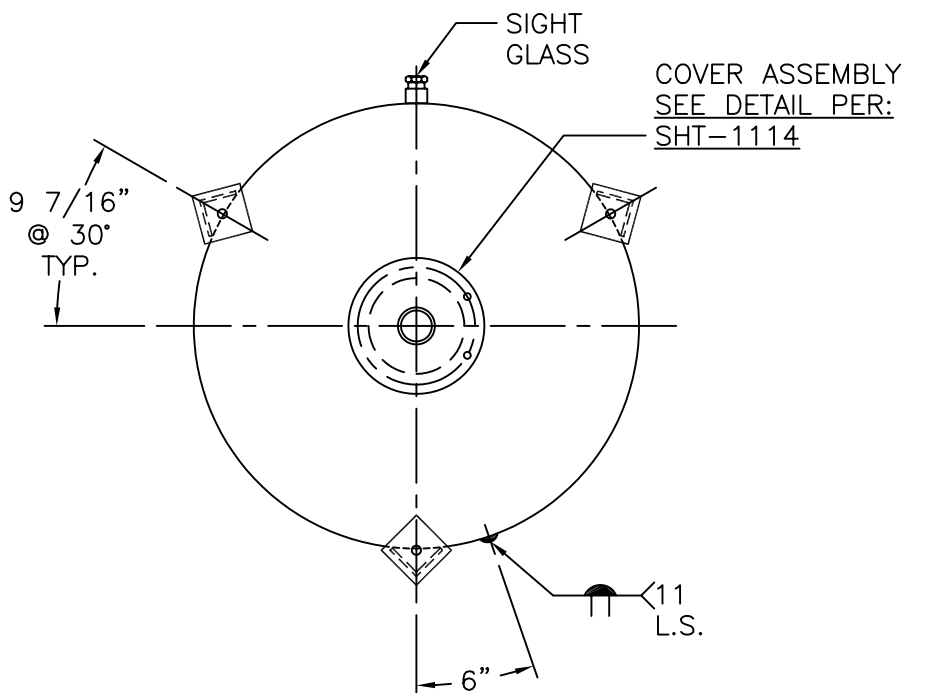
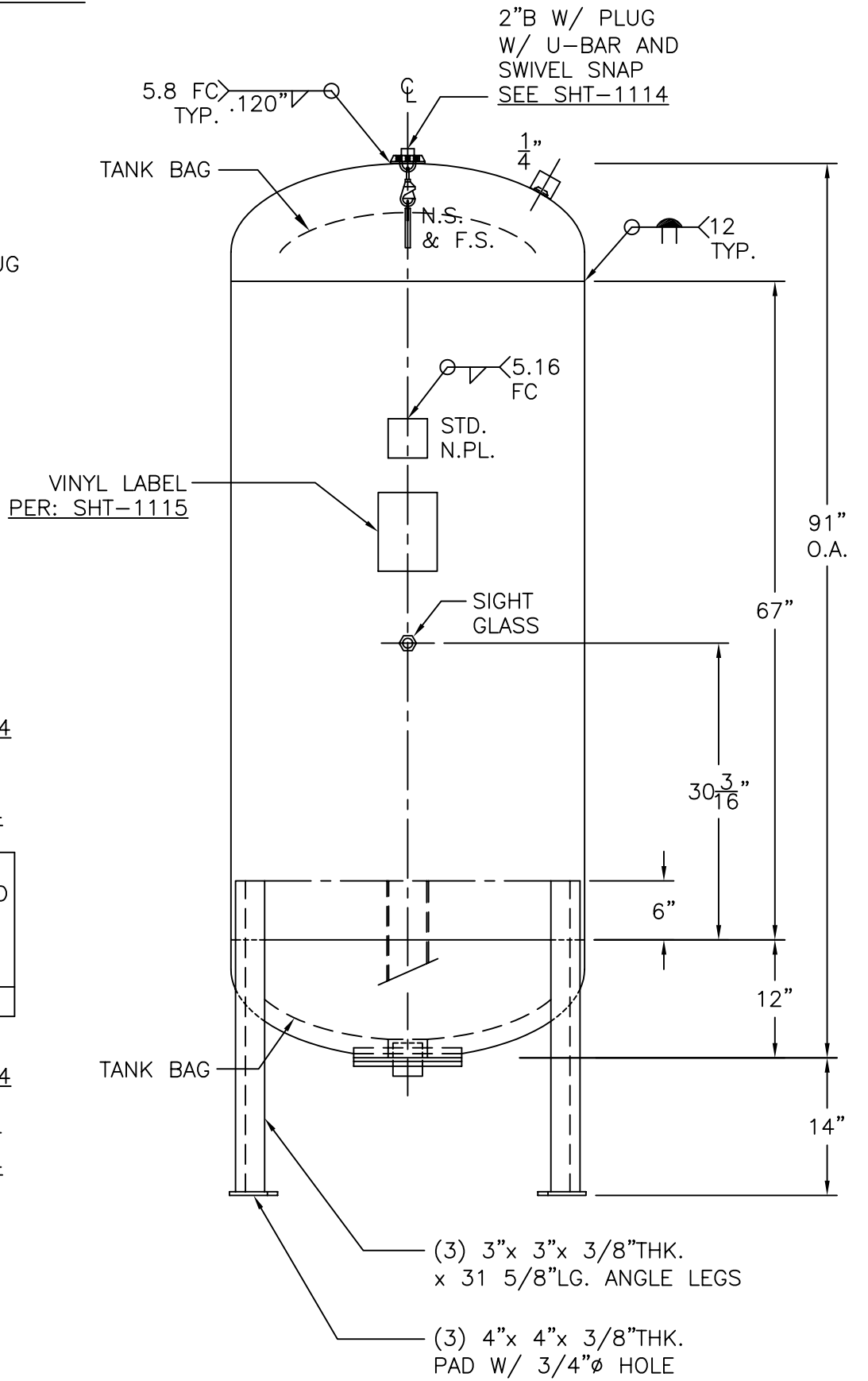


**COVER ASSEMBLY DTL.**



NOTE: 1) HYDRO @ 165 PSIG. MIN.  
2) INSPECTION OPENING, UG 46(f)(6).

SHELL / HEADS	
.182" SA-455	2:1 S.E.
JOGGLE	
M.A.W.P. 125	PSIG. @ 240 °F
M.D.M.T. 32	°F @ 125 PSIG.
ASME SECTION VIII DIV. 1, 2004 ADD. 2004	
X-RAY: RT-NO	
GALLONS: 370	WT. 707 LBS.
SERIAL NO.	
N.B.	
<b>BB-370-L</b>	REV. DATE: 4-1-05
HANSON STANDARD	
VERT. BLADDER TANK	
INSIDE: UNPAINTED	
OUTSIDE: PRIMER	
BY: E.S.	LEG-ZONE 4-15 KM.
<b>ROY E. HANSON JR. MFG.</b>	SCALE: 3/4"=12"
1924 COMPTON AVE.	
LOS ANGELES, CA 90011	