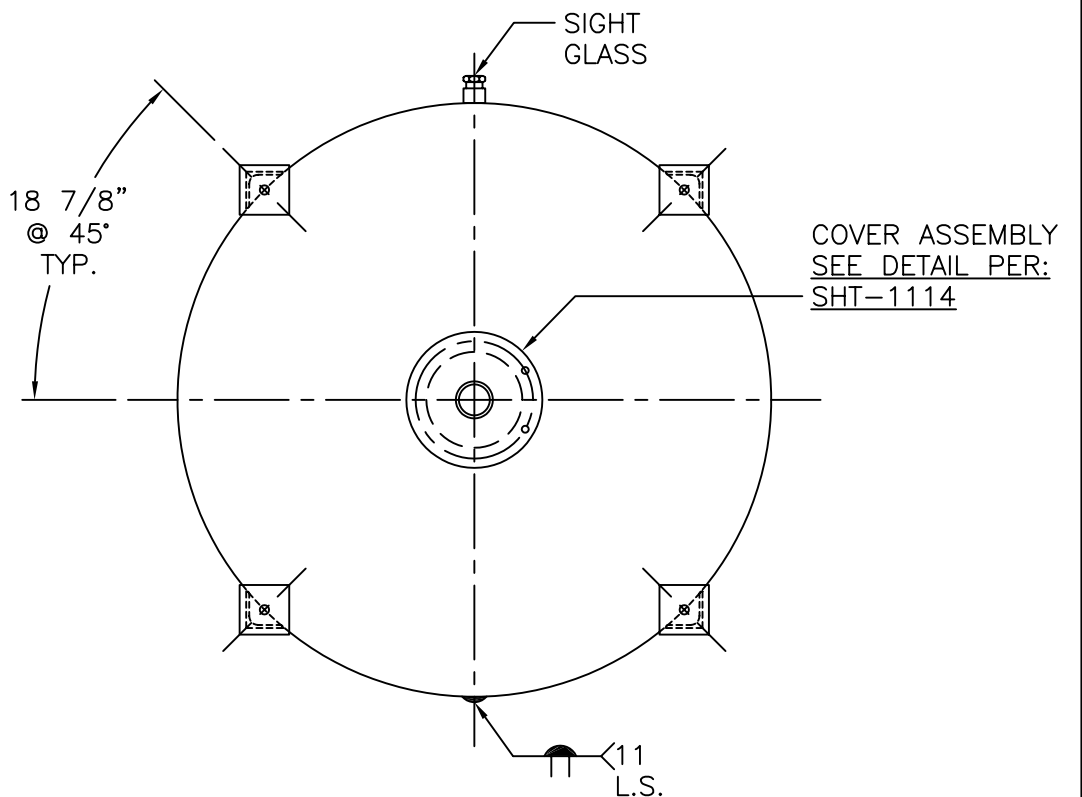
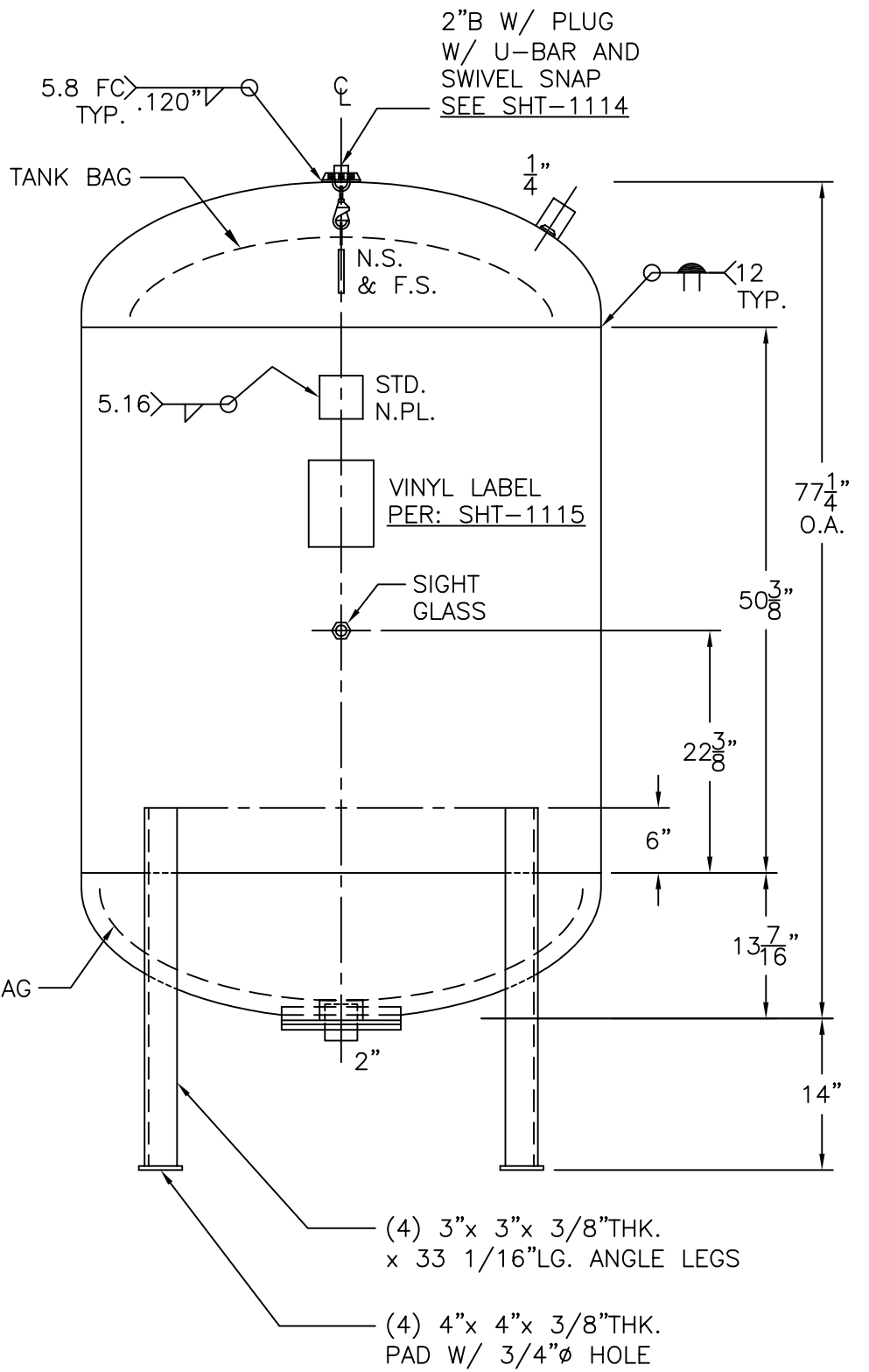


COVER ASSEMBLY DTL.



NOTE: 1) HYDRO @ 163 PSIG. MIN.
2) FOR NON CORROSIVE SERVICE-BLADDER TANK.

SHELL / HEADS	
250" SA-414-G	2:1 S.E.
JOGGLE	
.205" SA-455	
M.A.W.P.	125 PSIG. @ 240 °F
M.D.M.T.	32 °F @ 125 PSIG.
ASME SECTION VIII	DIV. 1, 2007 ADD. 2009
X-RAY	RT-4 SPOT L.S. ONLY
GALLONS	528 WT. 1102 LBS.
SERIAL NO.	
N.B.	
BB-528-L	REV. 9-9-10
HANSON STANDARD	DATE: 4-1-05
VERT. BLADDER TANK	
INSIDE:	UNPAINTED
OUTSIDE:	PRIME
BY: E.S.	LEG-ZONE 4-15 KM.
ROY E. HANSON JR. MFG.	SCALE: 3/4"=12"
1600 E. WASHINGTON BLVD.	
LOS ANGELES, CA 90021	