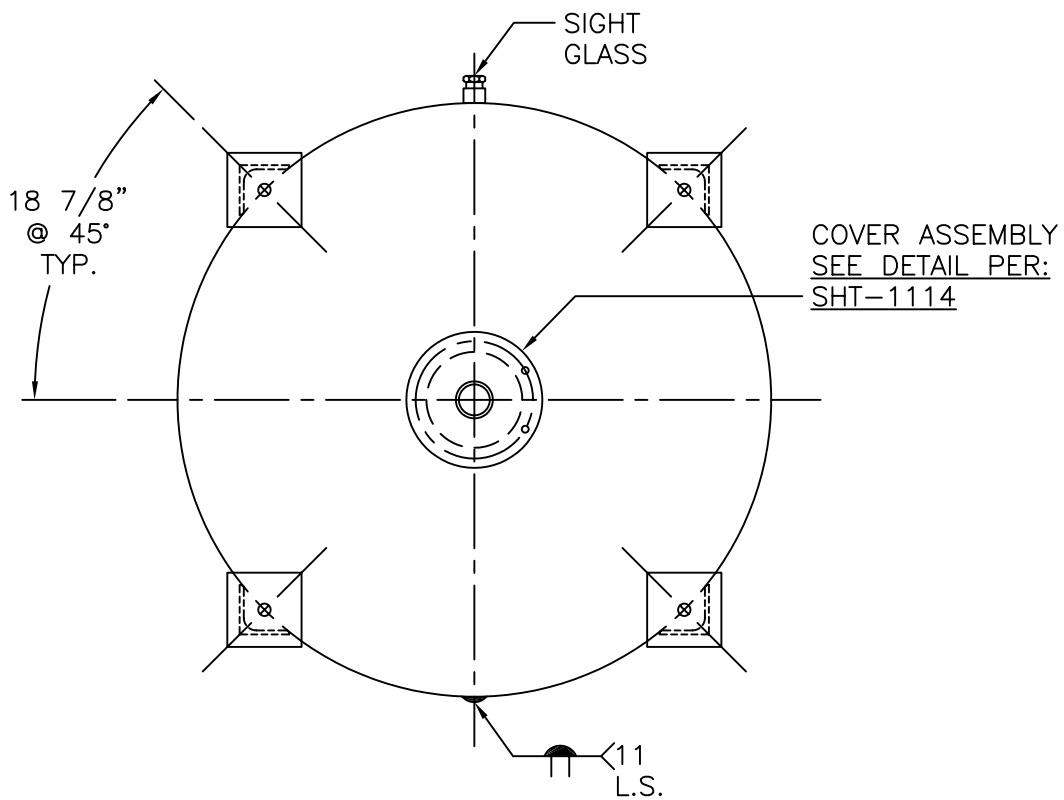
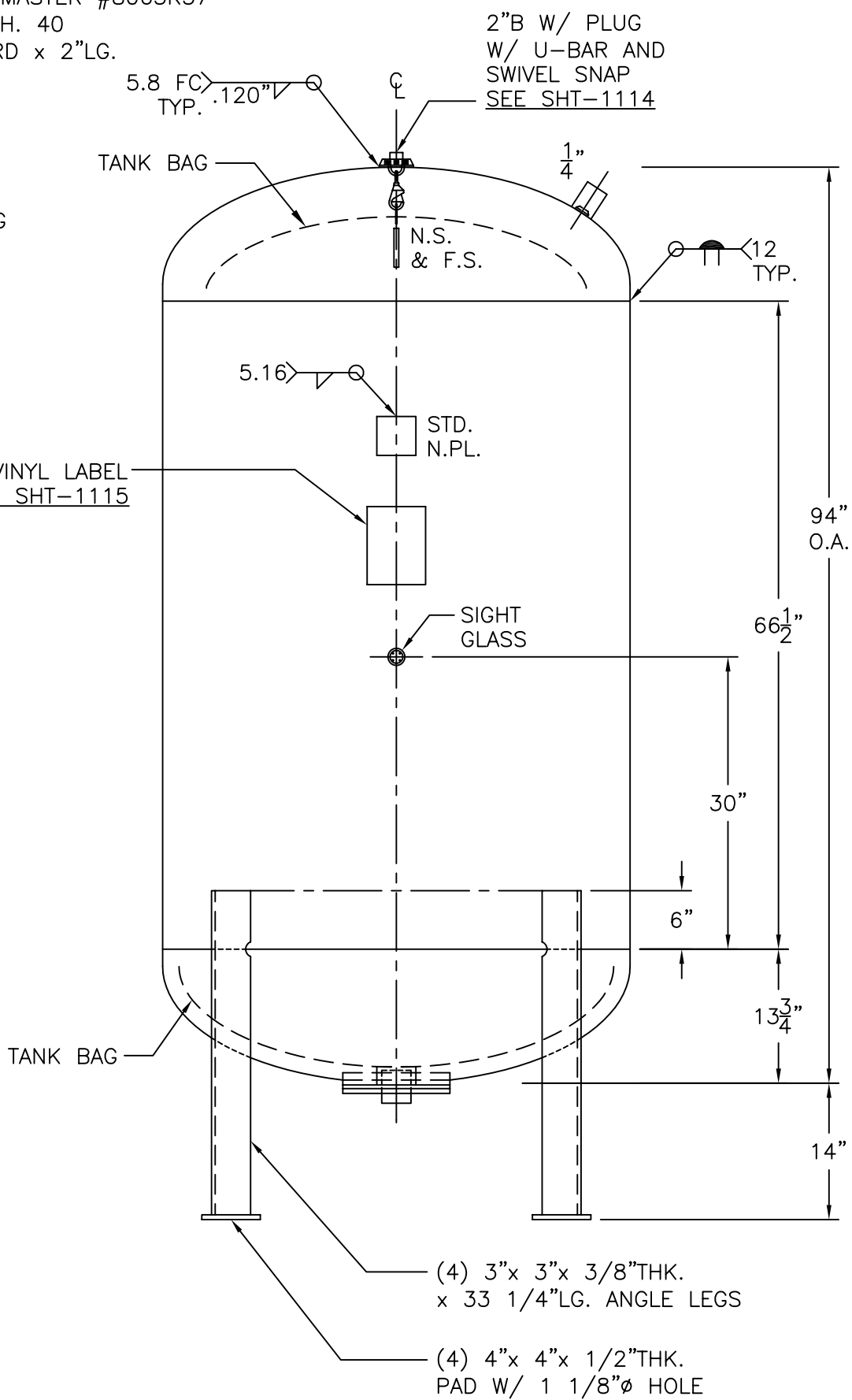


COVER ASSEMBLY DTL.



NOTE: 1) HYDRO @ 165 PSIG. MIN.
2) FOR NON CORROSIVE SERVICE-BLADDER TANK.

SHELL / HEADS	
200" SA-455	2:1 S.E.
JOGGLE	
M.A.W.P. 125 PSIG. @ 240 °F	
M.D.M.T. 32 °F @ 125 PSIG.	
ASME. SECTION VIII DIV. 1, 2007 ADD. 2007	
X-RAY: RT-4 SPOT L.S. ONLY	
GALLONS: 660	WT. 1055 LBS.
SERIAL NO.	
N.B.	
BB-660-L	REV. 11-18-08
HANSON STANDARD	DATE: 4-1-05
VERT. BLADDER TANK	
INSIDE: UNPAINTED	
OUTSIDE: PRIMER	
BY: E.S.	LEG-ZONE 4-15 KM.
ROY E. HANSON JR. MFG.	SCALE: 3/4"=12"
1600 E. WASHINGTON BLVD.	
LOS ANGELES, CA 90021	