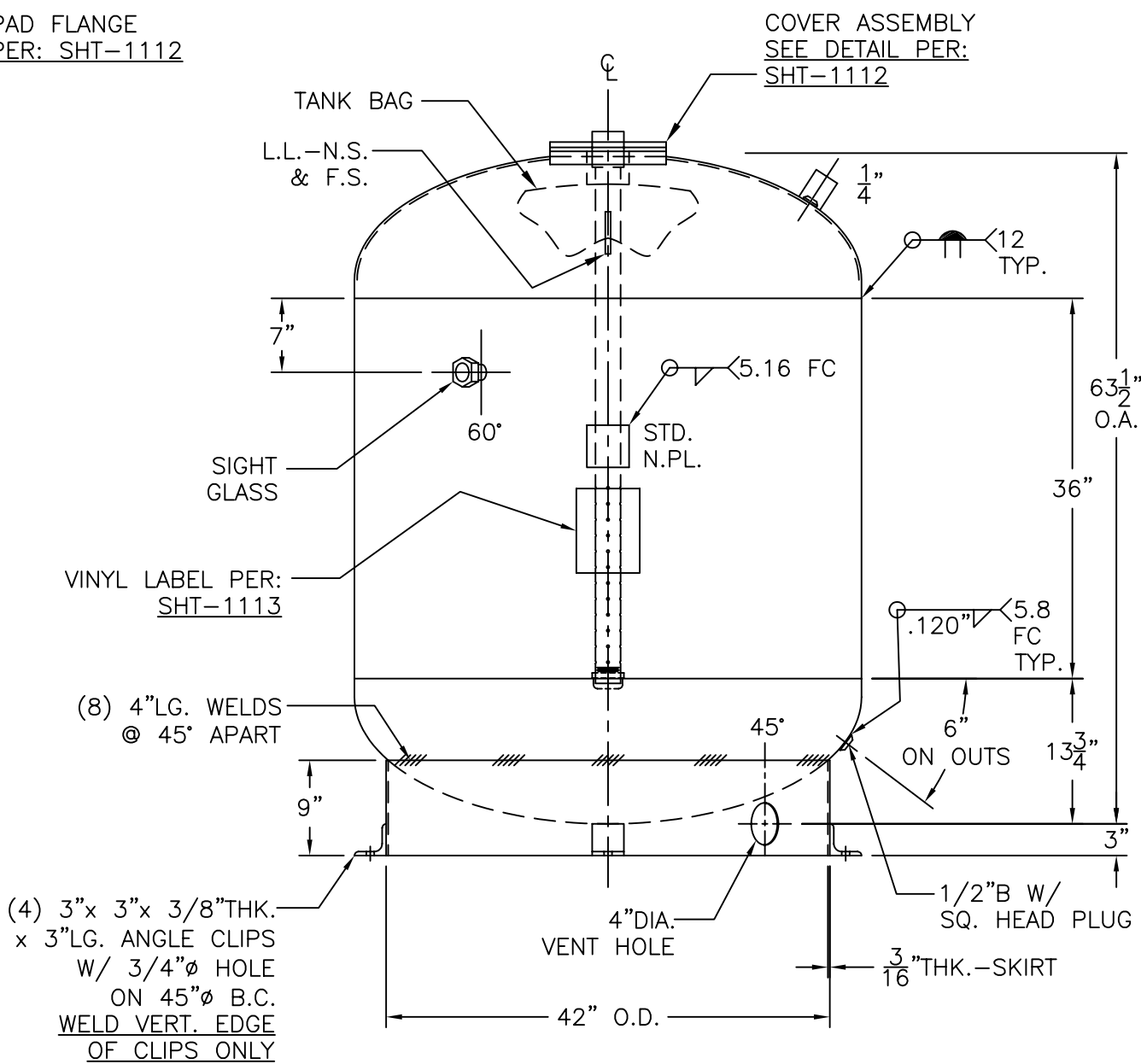


**COVER ASSEMBLY DTL.**



NOTE: 1) HYDRO @ 165 PSIG. MIN. 2) FOR NON CORROSIVE SERVICE-BLADDER TANK.

SHELL / HEADS	
200" SA-455	2:1 S.E.
JOGGLE	
M.A.W.P. 125 PSIG. @ 240 °F	
M.D.M.T. 32 °F @ 125 PSIG.	
ASME SECTION VIII DIV. 1, 2007 ADD. 2007	
X-RAY: RT-4 SPOT L.S. ONLY	
GALLONS: 422	WT. 780 LBS.
SERIAL NO.	
N.B.	
<b>TB-422-R</b>	
INSIDE: UNPAINTED	OUTSIDE: PRIMER
HANSON STANDARD VERT. BLADDER TANK	
REV. 11-18-08	DATE: 4-1-05
BY: E.S. SCALE: 3/4"=12"	
<b>ROY E. HANSON JR. MFG.</b>	
1600 E. WASHINGTON BLVD. LOS ANGELES, CA 90021	