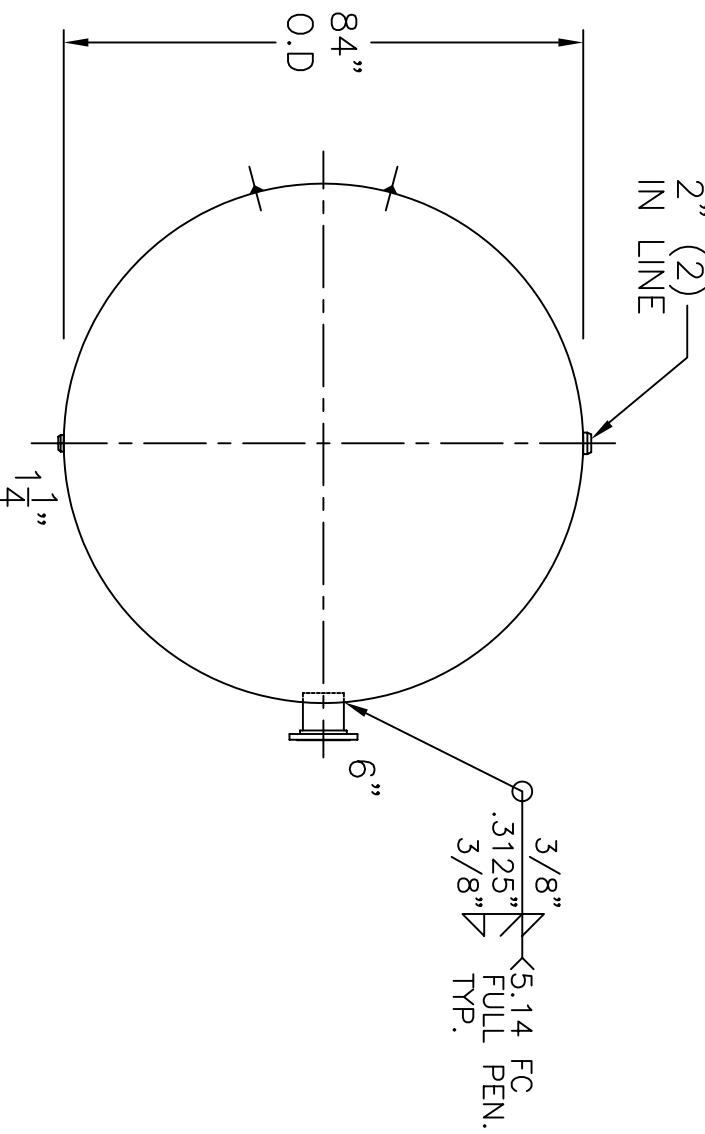
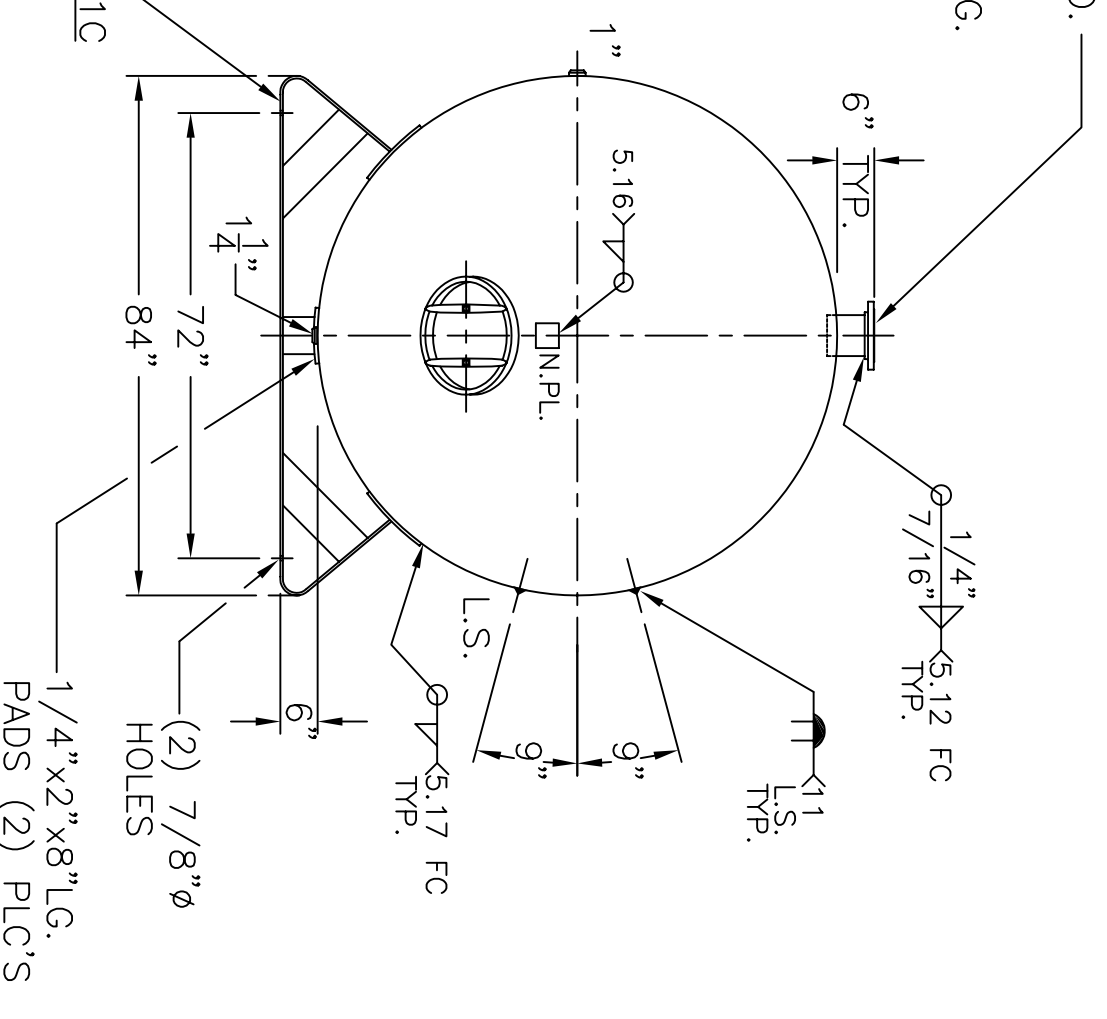


6"-150# R.F.S.O. FLG. W/SCH 80 SA-106-B PIPE x 7 5/8" LG. (2) PLC'S

SUPPORT PER: 84-HP-5000-W-1C



NOTE: 1) HYDRO @ 195 PSIG. MIN.

SHELL / HEADS		84-HP-5000-W	
LEFT - (.300" MIN.)	.375" SA-455	REV. 8-24-11	DATE: 7-16-01
RIGHT - (.333" MIN.)	.375" SA-455	FOR: HANSON STANDARD	
	.3125" SA-455	HORIZ. AIR TANK.	
		UW-21(b)	
		INSIDE: UNPAINTED	
M.A.W.P.	150 PSIG. @ 400 °F	OUTSIDE: PRIME	
M.D.M.T.	-20 °F	CAD-"B" SIZE UNDER "STD"-SERIES	
ASME SECTION VIII	DIV. 1, 2010 ADD 2010	BY: J.G. SCALE: 3/8"=12"	
X-RAY: RT-2	100% L.S. & SPOT ALL G.S.	ROY E. HANSON JR. MFG.	
GALLONS: 5000	WT. 7451 LBS.	1600 E. WASHINGTON BLVD.	
SERIAL NO.		LOS ANGELES, CA 90021	
N.B.			