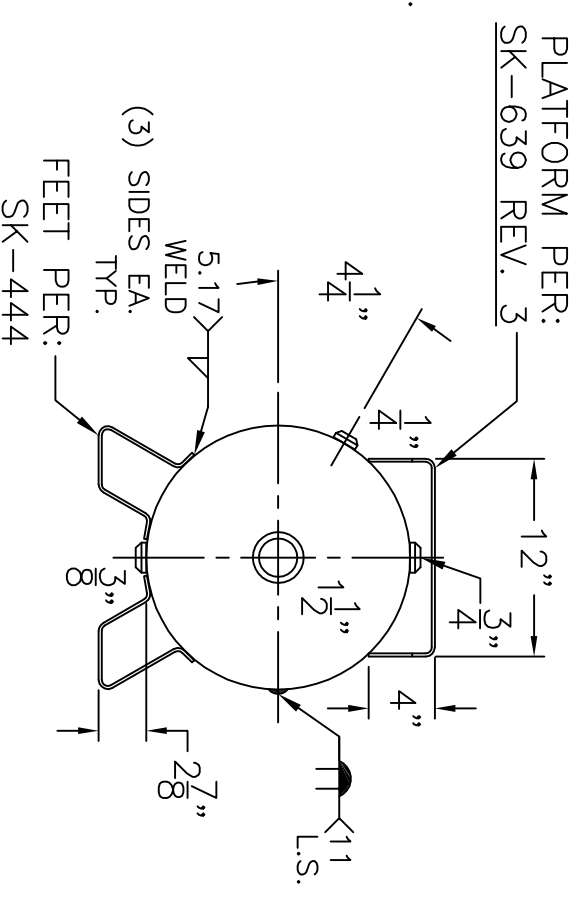
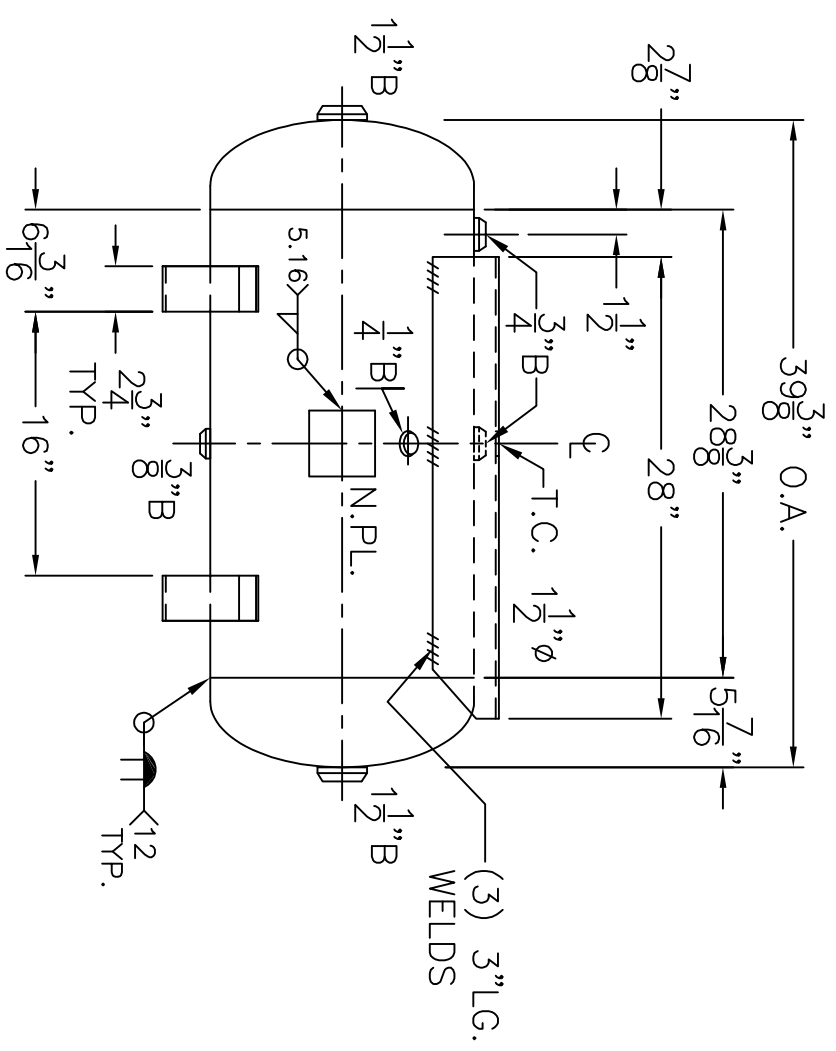


VIEW W/O SUPPORTS



NOTE: 1) HYDRO @ 325 PSIG. MIN.

SHELL / HEADS		M.A.W.P. 250 PSIG. @ 400 °F	
.149" SA-414-G 2:1 S.E.		M.D.M.T. -20 °F @ 250 PSIG.	
JOGGLE		ASME SECTION VIII DIV. 1, 2013	
.136" SA-414-G		X-RAY: RT-NO	
		GALLONS: 30 WT. 134 LBS.	
		SERIAL NO.	
		N.B.	
HC-30-FP		REV. 5-20-14	
FOR: HANSON STANDARD		DATE: 6-30-77	
HORIZ. AIR TANK			
SURFACE AREA = 14.5 SQ. FT.			
INSIDE: UNPAINTED			
OUTSIDE: PRIME			
CAD "B" UNDER "STD" SERIES			
BY: E.S.		SCALE: 1"=12"	
ROY F. HANSON JR. MFG.			
1600 E. WASHINGTON BLVD.			
LOS ANGELES, CA 90021			

PLATFORM PER:
SK-639 REV. 3

(3) SIDES WELD
WELD EA.
TYP.
FEET PER:
SK-444